

6

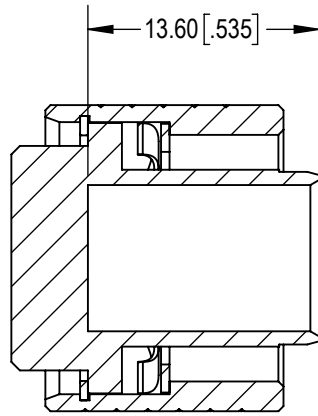
5

4

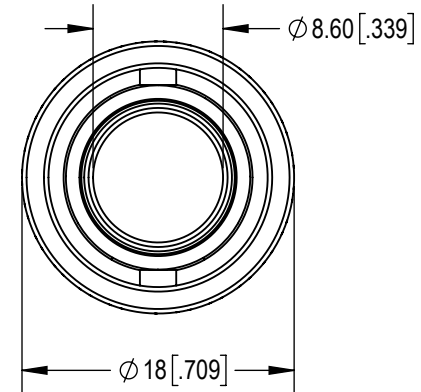
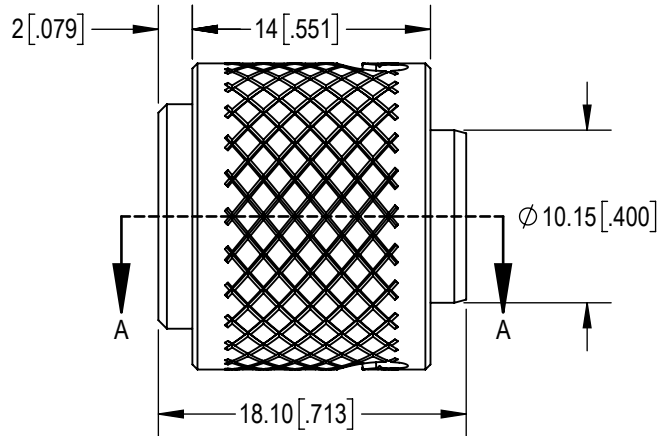
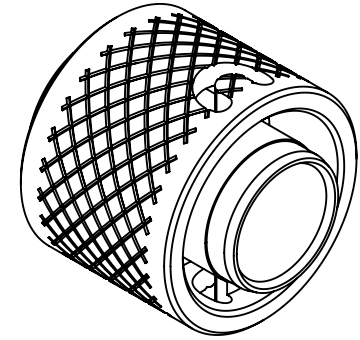
3

2

1



SECTION A-A

**NOTES:**

1. MATERIAL:
 - PLUG HOUSING, COUPLING RING : ALUMINUM ALLOY WITH ELECTROLESS NICKEL PLATING.
 - FRICTION RING, RETAINER RINGS, WAVE SPRINGS : STAINLESS STEEL, PASSIVATED.
 2. MECHANICAL CHARACTERISTICS : DURABILITY : 500 CYCLES.
 3. CLIMATIC CHARACTERISTICS : SEALING : IP 65 / TEMPERATURE RANGE : -55°C/+125°C.
 4. COMPLIANT TO THE CURRENT ROHS DIRECTIVE.
- PART NUMBER DEFINITION :
PROJECT NUMBER-CONFIGURATION-GENDER-CONTACT FINISH.
P+ YY-WW JOB N#
EX: PSK170008-100-1-51 P+ 17-46 F365679

DETAILED PRODUCT, MECHANICAL, AND ELECTRICAL INFORMATION AVAILABLE IN THE LATEST PRODUCT PUBLICATION AT CONNECTPOSITRONIC.COM.

BY FL	CHK LAW	3RD ANGLE 	POSITRONIC BELIEVES THE DATA ON THE DRAWING TO BE RELIABLE. THE USER EMPLOYS SUCH INFORMATION AT HIS OWN DISCRETION AND RISK. POSITRONIC ASSUMES NO RESPONSIBILITY FOR RESULTS OBTAINED OR DAMAGES INCURRED FROM USE OF SUCH INFORMATION IN WHOLE OR IN PART.	 Positronic® CONNECTPOSITRONIC.COM
APR PA	RELEASED DATE: 2018-11-30	SCALE NTS		
TOLERANCES ±0.03mm [.001 INCHES] FOR MALE CONTACT MATING DIAMETERS ±0.08mm [.003 INCHES] FOR CONTACT TERMINATION DIAMETERS ±0.13mm [.005 INCHES] FOR ALL OTHER DIAMETERS ±0.38mm [.015 INCHES] FOR ALL OTHER DIMENSIONS ±5° FOR ALL ANGLES DIMENSION ARE IN MILLIMETERS [INCHES]			PART NUMBER PSK170008-500-1-51	SERIES
			TITLE DUMMY PLUG FOR UN-USED RECEPTACLES	
CREATED ON: 2018-11-28		SHEET SHEET 1 OF 1	REV A	

6

5

4

3

2

1

Mouser Electronics

Authorized Distributor

Click to View Pricing, Inventory, Delivery & Lifecycle Information:

[Positronic:](#)

[PSK170008-500-1-51](#)