

6

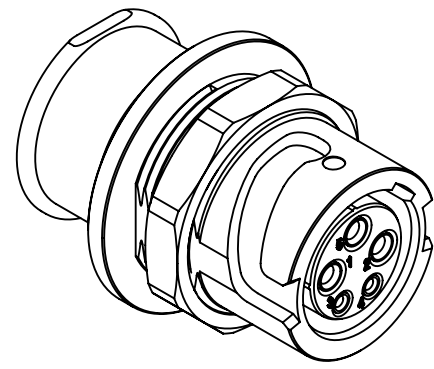
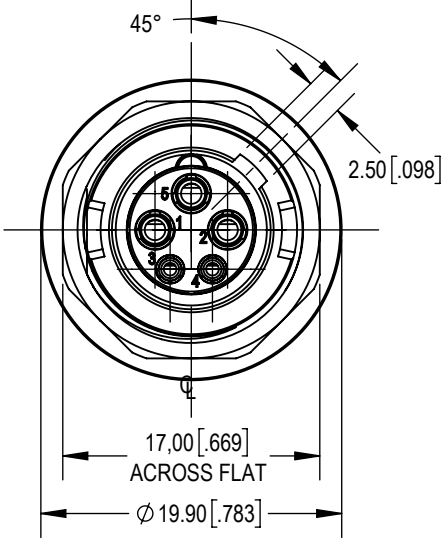
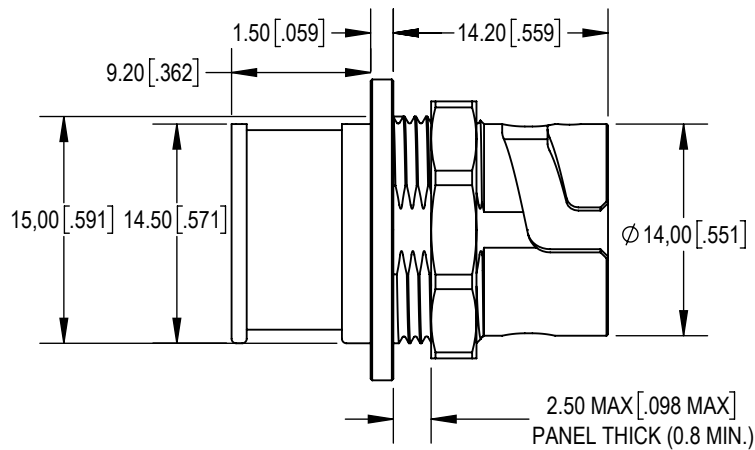
5

4

3

2

1



D

D

C

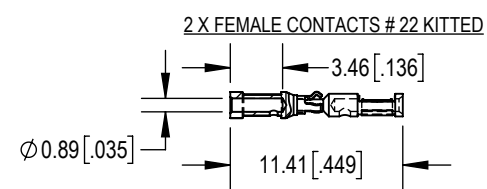
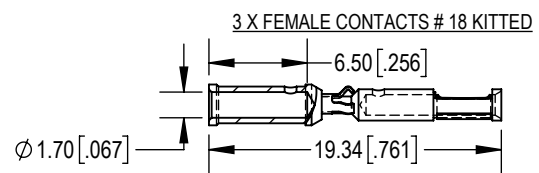
C

RECOMMENDED TOOLS FOR CRIMP CONTACTS:

1. CONTACT INSERTION TOOL :
 - CONTACT #22 : 9099-7-0
 - CONTACT #18 : 9099-6-0

2. CONTACT EXTRACTION TOOL :
 - CONTACT #22 : 9081-3-0
 - CONTACT #18 : 9081-9-0

3. ADJUSTABLE HAND CRIMP TOOL :
 - FC422P9 : 9507-0 WITH 9502-13-0 POSITIONER (SETTING : 6/5/4/4)
 - FC1816P2 : 9507-0 WITH 9502-30-0 POSITIONER (SETTING : 7/78/8)



SIZE	FEMALE	WIRE SIZE AWG [mm ²]
22	FC422P9/AA-14	22/24/26/28 [0.3/0.25/0.12/0.08]
18	FC1816P2/AA-14	16/18/20/22 [1.3/1.0/0.5/0.3]

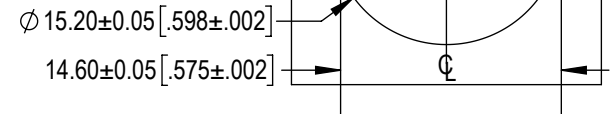
NOTES:

1. MATERIAL:
 - INSULATOR: LCP, LOW FLAMMABILITY & LOW SMOKE TOXICITY
 - RECEPTACLE HOUSING, OCTAGONAL NUT : ALUMINUM ALLOY WITH ELECTROLESS NICKEL PLATING
 - RETAINER RING : STAINLESS STEEL PASSIVATED
 - O-RING : SILICONE RED COLOR
 - CONTACTS : PRECISION MACHINED COPPER ALLOY WITH GOLD PLATING (0.76-1.02µm) OVER NICKEL
2. MECHANICAL CHARACTERISTICS : DURABILITY : 500 CYCLES
3. ELECTRICAL CHARACTERISTICS :
 - CONTACT CURRENT RATING :
 # 18 : 16A MAX WITH A TEMPERATURE RISE AT 35°C
 # 22 : 3A MAX WITH A TEMPERATURE RISE AT 35°C
 - PROOF VOLTAGE : 1000 VRMS
 - WORKING VOLTAGE : 28 VDC
 - INSULATOR RESISTANCE : > 5 GOHM
4. RECOMMENDED TORQUE VALUES : 20 MIN. - 25 MAX. LBS-IN [2.26 - 2.825 N.m]
5. CLIMATIC CHARACTERISTICS : SEALING : IP 65 / TEMPERATURE RANGE : -55°C/+125°C
6. COMPLIANT TO THE CURRENT ROHS DIRECTIVE.

PART NUMBER DEFINITION :
 PROJECT NUMBER-CONFIGURATION-GENDER-CONTACT FINISH
 P+ YY-WW JOB N#
 EX: PSK170008-100-1-51 P+ 17-46 F365679

DETAILED PRODUCT, MECHANICAL, AND ELECTRICAL INFORMATION AVAILABLE IN THE LATEST PRODUCT PUBLICATION AT CONNECTPOSITRONIC.COM

PANEL CUT OUT



B

B

A

A

BY	FL	CHK	EB	3RD ANGLE		POSITRONIC BELIEVES THE DATA ON THE DRAWING TO BE RELIABLE. THE USER EMPLOYS SUCH INFORMATION AT HIS OWN DISCRETION AND RISK. POSITRONIC ASSUMES NO RESPONSIBILITY FOR RESULTS OBTAINED OR DAMAGES INCURRED FROM USE OF SUCH INFORMATION IN WHOLE OR IN PART.	 Positronic [®] CONNECTPOSITRONIC.COM
APR	PP	RELEASED DATE:	2020-03-12	SCALE			
TOLERANCES				±0.03mm [.001 INCHES] FOR MALE CONTACT MATING DIAMETERS ±0.08mm [.003 INCHES] FOR CONTACT TERMINATION DIAMETERS ±0.13mm [.005 INCHES] FOR ALL OTHER DIAMETERS ±0.38mm [.015 INCHES] FOR ALL OTHER DIMENSIONS *5° FOR ALL ANGLES DIMENSION ARE IN MILLIMETERS [INCHES]			
PART NUMBER						SERIES	
PSK170008-310-2-14						TALON	
TITLE							
RECEPTACLE WITH FEMALE CRIMP CONTACTS							
CREATED ON:		SHEET		REV			
2020-03-09		SHEET 1 OF 1		E			

6

5

4

3

2

1

Mouser Electronics

Authorized Distributor

Click to View Pricing, Inventory, Delivery & Lifecycle Information:

[Positronic:](#)

[PSK170008-310-2-14](#)