

Product data sheet

Automation technology - Voltage and Power Supply

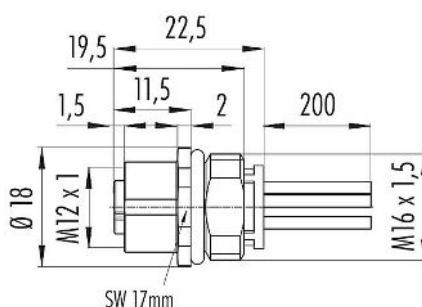


Product description	M12 Female panel mount connector, Contacts: 4+FE, unshielded, single wires, IP68, UL, M16x1.5
Area	M12-L series 823
Part no.	09 0642 700 05

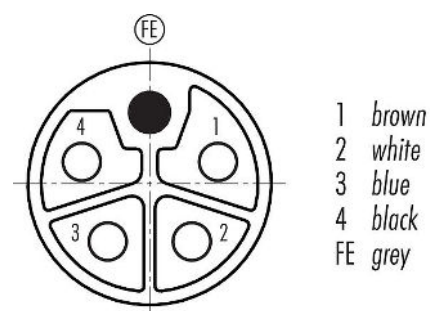
Illustration



Scale drawing



Contact arrangement (Plug-in side)



You can find the assembly instructions on the next page.

Technical data

General features

Part no.	09 0642 700 05
Connector design	Female panel mount connector
Type standard	DIN EN IEC 61076-2-111:2018-10;VDE 0687-76-2-111:2018-10
Version	Connector socket straight
Connector locking system	screw
Termination	single wires
Degree of protection	IP68
Cross-sectional area	AWG 16
Temperature range from/to	-40 °C / 105 °C
Mechanical operation	> 100 Mating cycles
Weight (g)	27.35
Customs tariff number	85369010
Country of Origin	DE

Electrical parameters

Rated voltage	63 V
Rated impulse voltage	1500 V
Rated current	12.0 A
Insulation resistance	> 10 ¹⁰ Ω
Pollution degree	3
Overvoltage category	III
Insulating material group	I
EMC compliance	unshielded

Material

Housing material	Zinc die-cast nickel-plated
Contact body material	PA

Product data sheet

Automation technology - Voltage and Power Supply



Product description **M12 Female panel mount connector, Contacts: 4+FE, unshielded, single wires, IP68, UL, M16x1.5**
 -
 Area **M12-L series 823**
 Part no. **09 0642 700 05**

Contact material CuSn (bronze)
 Contact plating Au (gold)
 REACH SVHC CAS 7439-92-1 (Lead)
 SCIP number b5dd3761-4677-4564-89e8-4e1cbffc4698

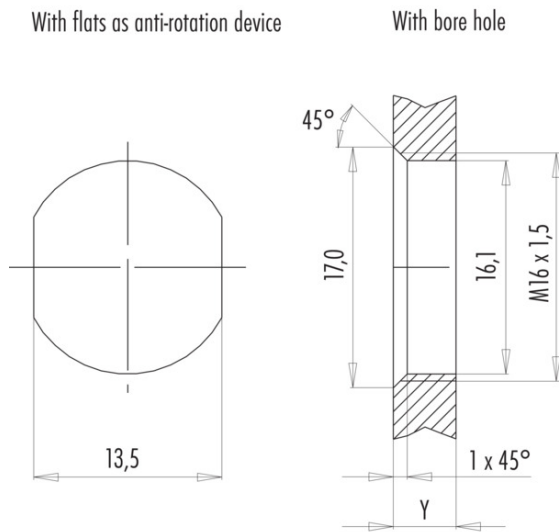
Authorization/approvals

Approvals UL

Classifications

eCl@ss 11.1 27-44-01-09
 ETIM 9.0 EC003569

Assembly instructions / Panel cut-out



Installation direction: o-ring sits on chamfer.

Tightening moment

Metall housing/Plastic housing 1,25 Nm

Thickness of wall Y (mm)		
Version	min (mm)	max (mm)
Fastened from rear	2	3,5
Front fastened	2	4,5
positioning possible ¹⁾	2	3,5
Screw clamp	2	3,5
Thread M12 x 1	2	3,0
Thread M14 x 1 ²⁾	³⁾ 1,5/ ⁴⁾ 2	6,5

Notes

- ¹⁾ Do not attach a chamfer
- ²⁾ Wall thickness:
use nut 38 5385 100 001 up to 1,5 mm,
>1,5 mm cut thread
- ³⁾ Nut
- ⁴⁾ Thread in wall of housing

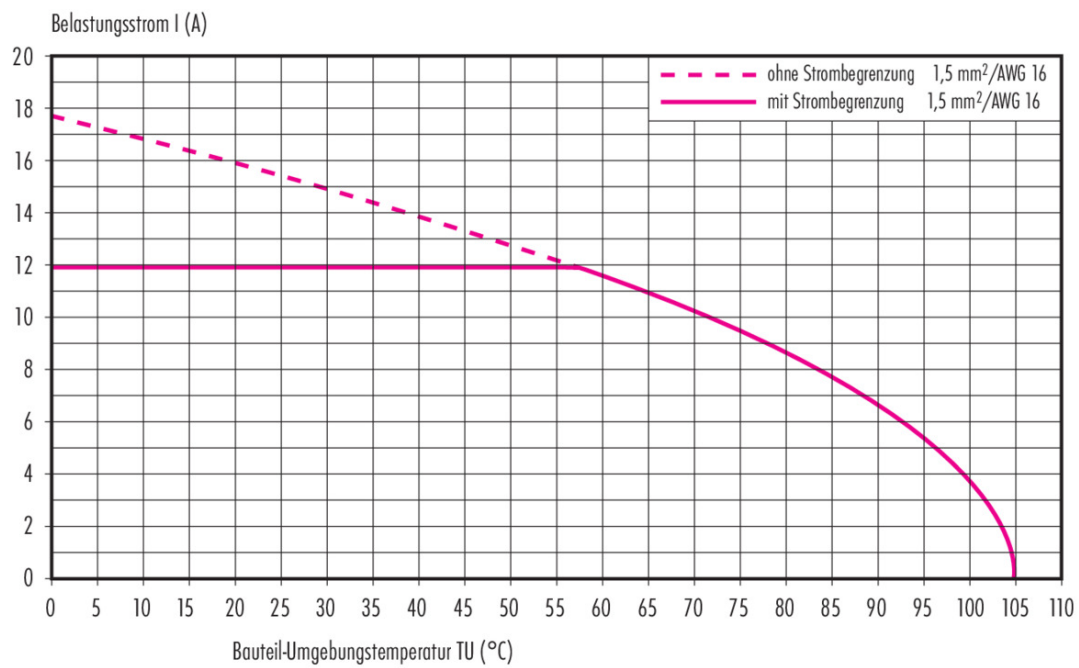
Product data sheet

Automation technology - Voltage and Power Supply



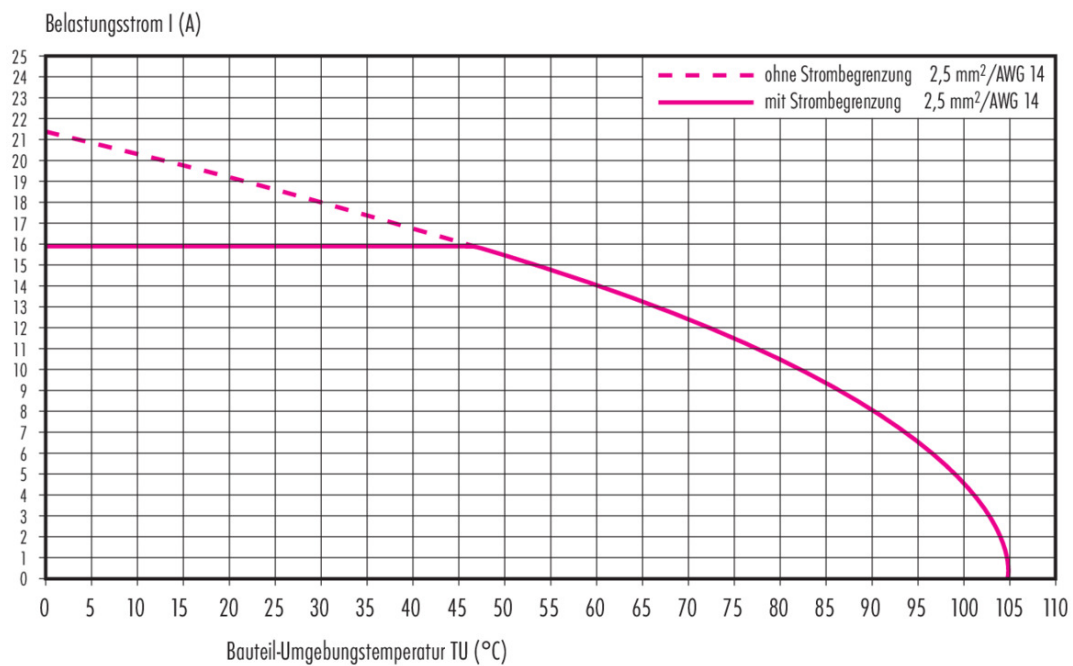
Product description **M12 Female panel mount connector, Contacts: 4+FE, unshielded, single wires, IP68, UL, M16x1.5**
-
Area **M12-L series 823**
Part no. **09 0642 700 05**

Derating curve



Product description	M12 Female panel mount connector, Contacts: 4+FE, unshielded, single wires, IP68, UL, M16x1.5
-	-
Area	M12-L series 823
Part no.	09 0642 700 05

Derating curve



Product description	M12 Female panel mount connector, Contacts: 4+FE, unshielded, single wires, IP68, UL, M16x1.5
-	-
Area	M12-L series 823
Part no.	09 0642 700 05

General Disclaim Notice

The connectors have been developed for applications in plant engineering, control and electrical equipment construction. The user is responsible for checking whether the connectors can also be used in other areas of application.

Plug connectors with enclosure protection IP67 and IP68 are not suitable for use under water. When used outdoors, the plug connectors must be protected separately against corrosion. For further information on the IP protection classes, please refer to the "Technical Information" download centre.

To lock the cable connector with the device connector, the threaded ring is tightened "hand-tight" (approx. 60 cNm).