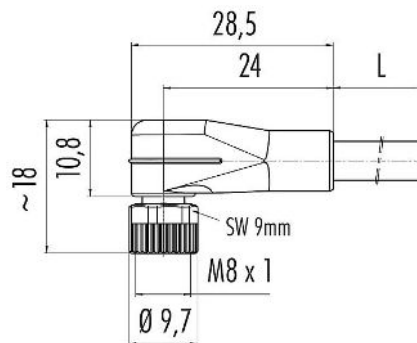


Product description	M8 Female angled connector, Contacts: 4, unshielded, moulded on the cable, IP67/IP69K, UL, PVC, grey, 4 x 0.34 mm², 2 m
Area	M8 series 718
Part no.	77 3408 0000 20004-0200

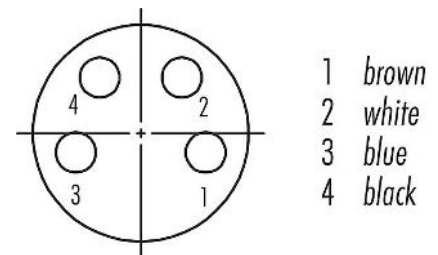
Illustration



Scale drawing



Contact arrangement (Plug-in side)



Technical data

General features

Part no.	77 3408 0000 20004-0200
	Alternative part no.: 79 3384 42 04
Notice	Please note that, due to the change from the old to the new order number, there may be deviations in the technical specifications. For questions about product details, please use the 'Contact Customer Service' form on the right.
Connector design	Female angled connector
Type standard	DIN EN 61076-2-104
Cable length	2 m
Version	Connector socket angled
Connector locking system	screw
Termination	moulded on the cable
Degree of protection	IP67/IP69K
Cross-sectional area	0.34 mm ² / AWG 22
Temperature range from/to	-25 °C / 85 °C
Mechanical operation	> 100 Mating cycles
Weight (g)	73
Customs tariff number	85444290
Country of Origin	DE

Electrical parameters

Rated voltage	60 V
Rated impulse voltage	1500 V
Rated current	4.0 A
Pollution degree	3
Overvoltage category	II
Insulating material group	II
EMC compliance	unshielded

Product description	M8 Female angled connector, Contacts: 4, unshielded, moulded on the cable, IP67/IP69K, UL, PVC, grey, 4 x 0.34 mm², 2 m
-	-
Area	M8 series 718
Part no.	77 3408 0000 20004-0200

Material

Housing material	PUR
Contact body material	PUR
Contact material	CuZn (brass)
Contact plating	Au (gold)
Locking material	Zinc die-cast nickel-plated
REACH SVHC	CAS 7439-92-1 (Lead)
SCIP number	3d17b285-2d05-412f-bec5-f75ad3a5d11f

Authorization/approvals

Approvals	UL
-----------	----

Classifications

eCl@ss 11.1	27-06-03-11
ETIM 9.0	EC002638

Declarations of conformity

Low Voltage Directive	2014/35/EU (EN 60529:1991;EN 60204-1:2018)
RoHS Directive	2011/65/EU (EN 50581:2012)

Cable data - Structure of the cable

Cable diameter	4.8 mm
Cross section	4 x 0.34 mm ²
Sheath material	PVC
Single-lead insulation	PVC
Single-lead structure	42 x 0.10 mm
Cable color	grey

Cable data - Electrical properties

Conductor resistance	57 Ω/Km (20°C)
----------------------	----------------

Cable data - Mechanical properties

Bending radius, fixed cable	≥ 5 x Ø
Bending radius, moving cable	≥ 10 x Ø
Bending cycles	> 2 million
Permitted acceleration	max. 5 m/s ² + 1 m/s ²
Travel distance, horizontal	5 m/s ² -> 5 m
Travel distance, vertical	5 m/s ² -> 2 m
Travel speed	≤ 200 m/min (5 m horizontal distance)

Cable data - Thermal properties

Temperature range cable in move from/to	-5 °C / 105 °C
Temperature range cable fixed from/to	-40 °C / 105 °C

Product description	M8 Female angled connector, Contacts: 4, unshielded, moulded on the cable, IP67/IP69K, UL, PVC, grey, 4 x 0.34 mm², 2 m
-	-
Area	M8 series 718
Part no.	77 3408 0000 20004-0200

Cable data - Other features

Halogen free	no
--------------	----

Product description	M8 Female angled connector, Contacts: 4, unshielded, moulded on the cable, IP67/IP69K, UL, PVC, grey, 4 x 0.34 mm², 2 m
-	-
Area	M8 series 718
Part no.	77 3408 0000 20004-0200

General Disclaim Notice

The connectors have been developed for applications in plant engineering, control and electrical equipment construction. The user is responsible for checking whether the connectors can also be used in other areas of application.

Plug connectors with enclosure protection IP67 and IP68 are not suitable for use under water. When used outdoors, the plug connectors must be protected separately against corrosion. For further information on the IP protection classes, please refer to the "Technical Information" download centre.

To lock the cable connector with the device connector, the threaded ring is tightened "hand-tight" (approx. 50 cNm).