

# Product data sheet

## Automation technology - Data transmission

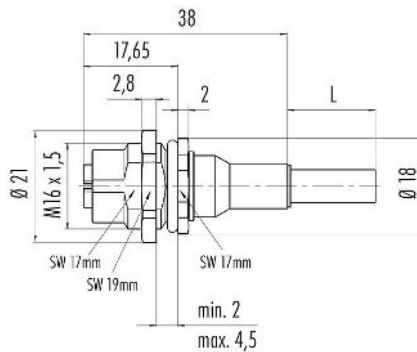


Product description	<b>M12 Female panel mount connector, Contacts: 8, shielded, with cable assembled, IP67, UL, M16x1.5, Ethernet, PUR, green, 4 x 2 x AWG 26/7, front fastened, 0.5 m</b>
-	-
Area	<b>M12-X series 876</b>
Part no.	<b>70 3784 706 08</b>

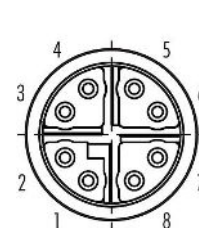
### Illustration



### Scale drawing



### Contact arrangement (Plug-in side)



- 1 white-orange
- 2 orange
- 3 white-green
- 4 green
- 5 white-brown
- 6 brown
- 7 white-blue
- 8 blue

shield on housing

You can find the component part drawing and assembly instructions on the next page.

## Technical data

### General features

Part no.	<b>70 3784 706 08</b>
Connector design	Female panel mount connector
Type standard	DIN EN 61076-2-109
Cable length	0.5 m
Version	Connector socket straight
Connector locking system	screw
Termination	with cable assembled
Degree of protection	IP67
Cross-sectional area	4 x 2 x AWG 26
Temperature range from/to	-40 °C / 85 °C
Mechanical operation	> 100 Mating cycles
Weight (g)	41.00
Customs tariff number	85444290
Country of Origin	HU

### Electrical parameters

Rated voltage	50 V (AC) / 60 V (DC)
Rated current	0.5 A
Insulation resistance	> 10 <sup>9</sup> Ω
Pollution degree	3
Transmission rate	CAT 6A
Overvoltage category	II
Insulating material group	III
EMC compliance	shielded
Shield connection	Shield on the housing

# Product data sheet

## Automation technology - Data transmission



Product description	<b>M12 Female panel mount connector, Contacts: 8, shielded, with cable assembled, IP67, UL, M16x1.5, Ethernet, PUR, green, 4 x 2 x AWG 26/7, front fastened, 0.5 m</b>
-	-
Area	<b>M12-X series 876</b>
Part no.	<b>70 3784 706 08</b>

### Material

Housing material	Zinc die-cast nickel-plated
Contact body material	PA
Contact material	CuSn (bronze)
Contact plating	Au (gold)
Locking material	Zinc die-cast nickel-plated
REACH SVHC	CAS 7439-92-1 (Lead)
SCIP number	47d1f86c-43e1-4e18-80ef-acb2f8aa134d

### Authorization/approvals

Approvals	UL
-----------	----

### Classifications

eCl@ss 11.1	27-06-03-11
ETIM 9.0	EC002638

### Declarations of conformity

RoHS Directive	2011/65/EU (EN 50581:2012)
----------------	----------------------------

### Cable data - Structure of the cable

Cable type	Ethernet
Cable diameter	6.2 mm
Cross section	4 x 2 x AWG 26/7
Sheath material	PUR
Single-lead insulation	PE
Single-lead structure	AWG 26/7
Cable color	green

### Cable data - Electrical properties

Conductor resistance	145 Ω/Km (20°C)
----------------------	-----------------

### Cable data - Mechanical properties

Bending radius, fixed cable	≥ 8 x Ø
-----------------------------	---------

### Cable data - Thermal properties

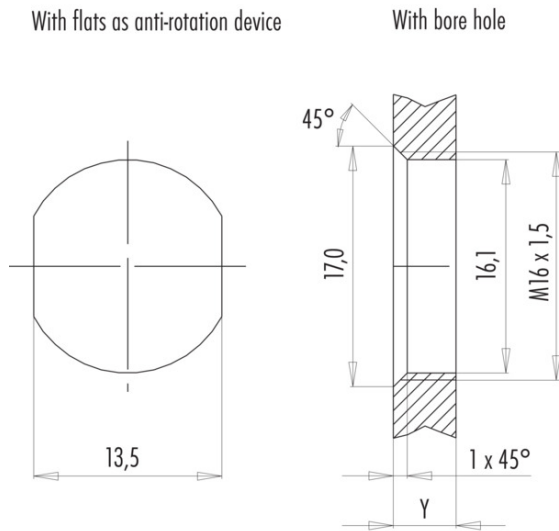
Temperature range cable in move from/to	-10 °C / 60 °C
Temperature range cable fixed from/to	-40 °C / 85 °C

### Cable data - Other features

Halogen free	yes
--------------	-----

Product description **M12 Female panel mount connector, Contacts: 8, shielded, with cable assembled, IP67, UL, M16x1.5, Ethernet, PUR, green, 4 x 2 x AWG 26/7, front fastened, 0.5 m**  
 -  
 Area **M12-X series 876**  
 Part no. **70 3784 706 08**

**Assembly instructions / Panel cut-out**



Installation direction: o-ring sits on chamfer.

**Tightening moment**

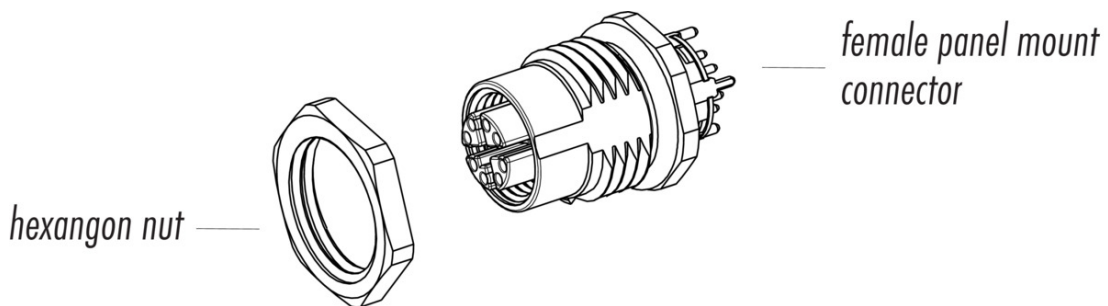
Metall housing/Plastic housing 1,25 Nm

Thickness of wall Y (mm)		
Version	min (mm)	max (mm)
Fastened from rear	2	3,5
Front fastened	2	4,5
positioning possible <sup>1)</sup>	2	3,5
Screw clamp	2	3,5
Thread M12 x 1	2	3,0
Thread M14 x 1 <sup>2)</sup>	<sup>3)</sup> 1,5/ <sup>4)</sup> 2	6,5

**Notes**

- <sup>1)</sup> Do not attach a chamfer
- <sup>2)</sup> Wall thickness:  
use nut 38 5385 100 001 up to 1,5 mm,  
>1,5 mm cut thread
- <sup>3)</sup> Nut
- <sup>4)</sup> Thread in wall of housing

**Component part drawing**



# Product data sheet

## Automation technology - Data transmission



Product description	<b>M12 Female panel mount connector, Contacts: 8, shielded, with cable assembled, IP67, UL, M16x1.5, Ethernet, PUR, green, 4 x 2 x AWG 26/7, front fastened, 0.5 m</b>
-	-
Area	<b>M12-X series 876</b>
Part no.	<b>70 3784 706 08</b>

### General Disclaim Notice

The connectors have been developed for applications in plant engineering, control and electrical equipment construction. The user is responsible for checking whether the connectors can also be used in other areas of application.

Plug connectors with enclosure protection IP67 and IP68 are not suitable for use under water. When used outdoors, the plug connectors must be protected separately against corrosion. For further information on the IP protection classes, please refer to the "Technical Information" download centre.