

Product data sheet

Automation technology - Data transmission

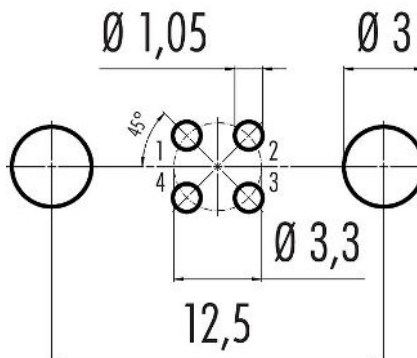


Product description	M8 Female angled panel mount connector, Contacts: 4, shieldable, THT, IP67
Area	M8-D series 818
Part no.	86 6620 1121 00404

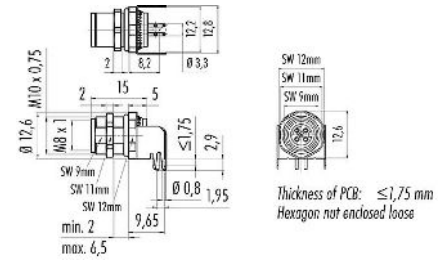
Illustration



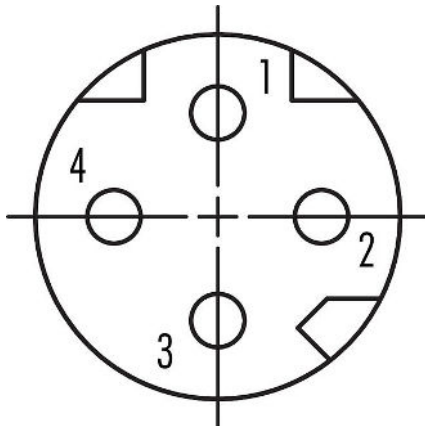
Conductor layout



Scale drawing



Contact arrangement (Plug-in side)



You can find the assembly instructions on the next page.

Technical data

General features

Part no.	86 6620 1121 00404
Connector design	Female angled panel mount connector
Type standard	DIN EN 61076-2-114
Version	Connector socket angled
Connector locking system	screw
Termination	THT
Degree of protection	IP67

Product data sheet

Automation technology - Data transmission



Product description	M8 Female angled panel mount connector, Contacts: 4, shieldable, THT, IP67
-	-
Area	M8-D series 818
Part no.	86 6620 1121 00404

Temperature range from/to	-40 °C / 85 °C
Mechanical operation	> 100 Mating cycles
Weight (g)	5.50
Customs tariff number	85369010
Country of Origin	DE

Electrical parameters

Rated voltage	63 V DC
Rated impulse voltage	1500 V
Rated current	4.0 A
Insulation resistance	> 10 Ω
Pollution degree	3
Insulating material group	III
EMC compliance	shieldable
Shield connection	Shielding plate

Material

Housing material	Zinc die-cast nickel-plated
Contact body material	PA yellow/green
Contact material	CuZn (brass) / CuSn (bronze)
Contact plating	Au (gold)
REACH SVHC	CAS 7439-92-1 (Lead)
SCIP number	72452042-45bb-4044-a9ab-ff976852971a

Classifications

eCl@ss 11.1	27-44-01-09
ETIM 9.0	EC003569

Product data sheet

Automation technology - Data transmission

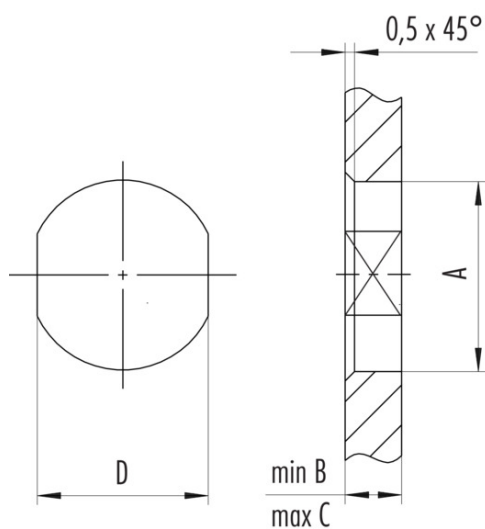


Product description **M8 Female angled panel mount connector, Contacts: 4, shieldable, THT, IP67**
 -
 Area **M8-D series 818**
 Part no. **86 6620 1121 00404**

Assembly instructions / Panel cut-out

1st Installation proposal

With flats as anti-rotation device



Thread E	A	B	C	D
M8 x 0,5	8,1	2,5	3,5	7,1
M8 x 1	8,1	2,5	3,5	7,1
M10 x 0,75	10,1	2,5	5,0	9,1

Tightening torque

M8 x 0,5	0,8 Nm
M8 x 1/M10 x 0,75	1,0 Nm

Product data sheet

Automation technology - Data transmission

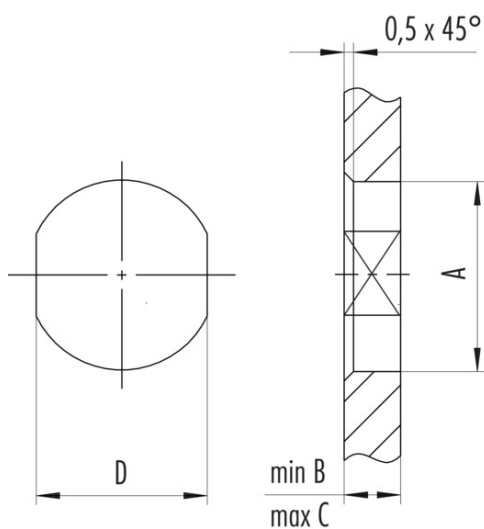


Product description **M8 Female angled panel mount connector, Contacts: 4, shieldable, THT, IP67**
-
Area **M8-D series 818**
Part no. **86 6620 1121 00404**

Assembly instructions / Panel cut-out

1st Installation proposal

With flats as anti-rotation device



Thread E	A	B	C	D
M8 x 0,5	8,1	2,5	3,5	7,1
M8 x 1	8,1	2,5	3,5	7,1
M10 x 0,75	10,1	2,5	5,0	9,1

Tightening torque

M8 x 0,5	0,8 Nm
M8 x 1/M10 x 0,75	1,0 Nm

Product data sheet

Automation technology - Data transmission



Product description	M8 Female angled panel mount connector, Contacts: 4, shieldable, THT, IP67
-	-
Area	M8-D series 818
Part no.	86 6620 1121 00404

General Disclaim Notice

The connectors have been developed for applications in plant engineering, control and electrical equipment construction. The user is responsible for checking whether the connectors can also be used in other areas of application.

Plug connectors with enclosure protection IP67 and IP68 are not suitable for use under water. When used outdoors, the plug connectors must be protected separately against corrosion. For further information on the IP protection classes, please refer to the "Technical Information" download centre.

To lock the cable connector with the device connector, the threaded ring is tightened "hand-tight" (approx. 40 cNm).