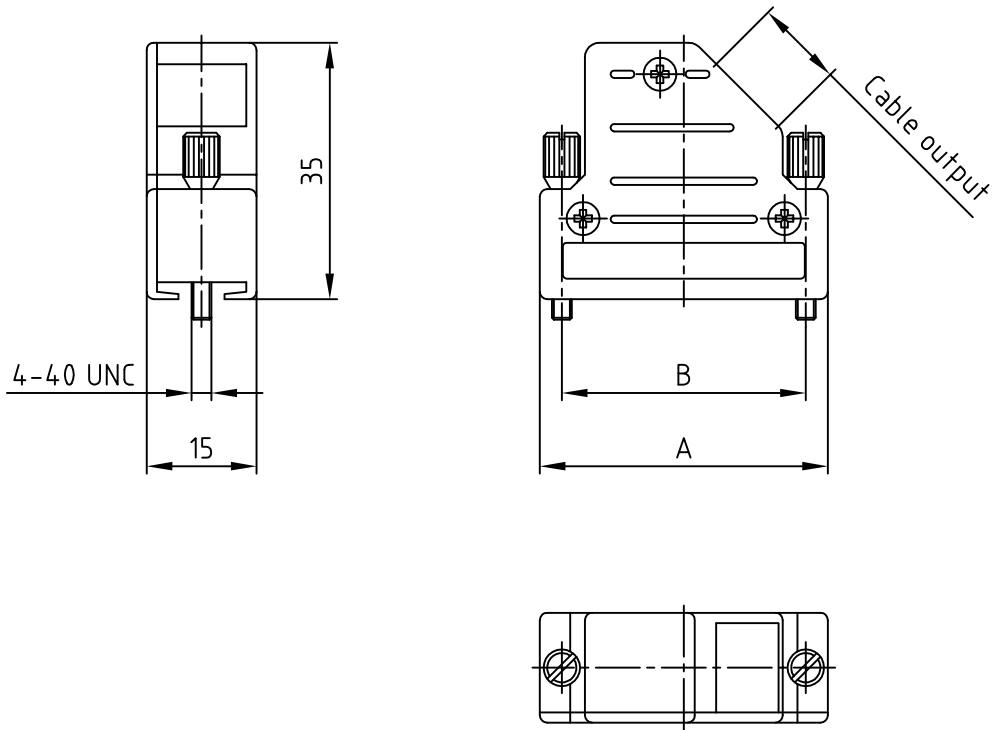


used for: D-SUB



(b)

No. of pos.	A	B	Part No: Bulk package	Part No: Single package
9	31.0	25.0	600X51309X	600X51309XE
15	39.3	33.3	600X51315X	600X51315XE
25	53.0	47.0	600X51325X	600X51325XE

Directive 2002/95/EC RoHS compliant

THIS DRAWING MAY NOT BE COPIED OR REPRODUCED IN ANY WAY, AND MAY NOT BE PASSED ON TO A THIRD PARTY WITHOUT WRITTEN PERMISSION.
OWNERSHIP AND COPYRIGHT OF CONEC GmbH
DO NOT ALTER CAD DRAWING BY HAND

tolerance		date		name	
		2002			
		drawn	30.01.		Parei
		appd.	30.01.		E. Mickenbecker
		norm			
		d-old			
1 x b	Ä3888	07.02.2011		K.H.	
a	Origin				
rev.	description	date		name	



scale:	1:1	
material:	DIE-CAST	
title:	METAL HOOD 9 - 25 pos., EMI/RFI shielding side cable exit, with jack screws	
dwg no:	AutoCAD 2000	DIN-A 4
part no:	16K1A469A	sh: 1/1
part no:	SEE TABLE	

4 3 2 1