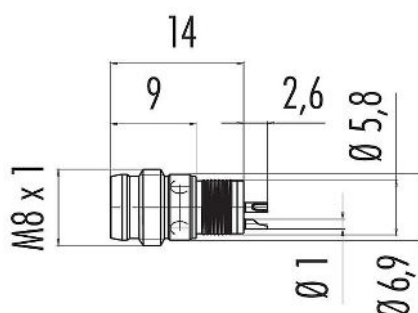


Product description	<b>M8 Male receptacle, Contacts: 4, unshielded, solder, IP65</b>
Area	<b>M8 series 718</b>
Part no.	<b>09 3415 00 04</b>

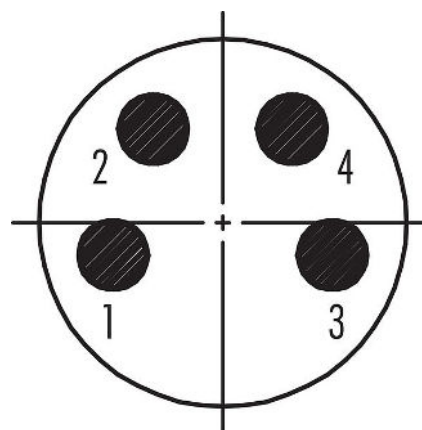
### Illustration



### Scale drawing



### Contact arrangement (Plug-in side)



## Technical data

### General features

Part no.	<b>09 3415 00 04</b>
Connector design	Male receptacle
Type standard	DIN EN 61076-2-104
Version	Connector pin straight
Connector locking system	snap-in, screw
Termination	solder
Degree of protection	IP65
Cross-sectional area	0.25 mm <sup>2</sup> / AWG 24
Temperature range from/to	-40 °C / 70 °C
Mechanical operation	> 100 Mating cycles
Weight (g)	25.0
Customs tariff number	85369010

### Electrical parameters

Rated voltage	60 V
Rated impulse voltage	1500 V
Rated current	4.0 A
Pollution degree	3
Overvoltage category	II
Insulating material group	II
EMC compliance	unshielded

### Material

Housing material	CuZn (Brass nickel plated)
------------------	----------------------------

# Product data sheet

## Automation technology - Sensors and actuators



Product description	<b>M8 Male receptacle, Contacts: 4, unshielded, solder, IP65</b>
-	-
Area	<b>M8 series 718</b>
Part no.	<b>09 3415 00 04</b>

Contact body material	PA
Contact material	CuZn (brass)
Contact plating	Au (gold)
REACH SVHC	CAS 7439-92-1 (Lead)
SCIP number	c99ceba9-f7af-49d7-96ec-7041249eb239

### Classifications

eCl@ss 11.1	27-44-01-09
ETIM 9.0	EC003569

Product description	<b>M8 Male receptacle, Contacts: 4, unshielded, solder, IP65</b>
-	-
Area	<b>M8 series 718</b>
Part no.	<b>09 3415 00 04</b>

### **General Disclaim Notice**

The connectors have been developed for applications in plant engineering, control and electrical equipment construction. The user is responsible for checking whether the connectors can also be used in other areas of application.

Plug connectors with enclosure protection IP67 and IP68 are not suitable for use under water. When used outdoors, the plug connectors must be protected separately against corrosion. For further information on the IP protection classes, please refer to the "Technical Information" download centre.