

Product data sheet

Automation technology - Data transmission

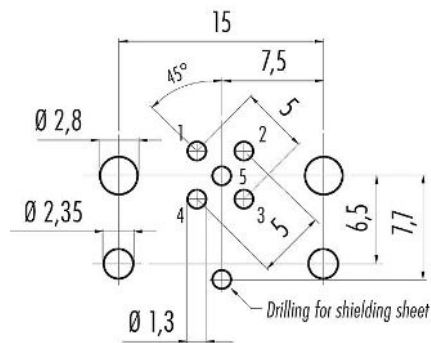


Product description	M12 Female panel mount connector, Contacts: 5, shieldable, THR, IP68, UL
Area	M12-B series 766
Part no.	99 4442 458 05

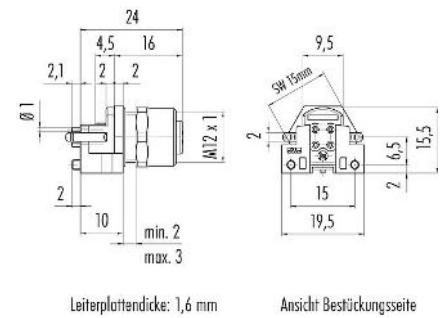
Illustration



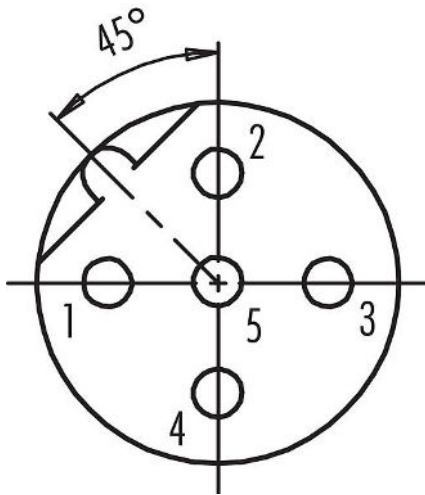
Conductor layout



Scale drawing



Contact arrangement (Plug-in side)



You can find the assembly instructions on the next page.

Technical data

General features

Part no.	99 4442 458 05
Connector design	Female panel mount connector
Type standard	DIN EN 61076-2-101
Version	Connector socket straight
Connector locking system	screw

Product data sheet

Automation technology - Data transmission



Product description	M12 Female panel mount connector, Contacts: 5, shieldable, THR, IP68, UL
-	-
Area	M12-B series 766
Part no.	99 4442 458 05

Termination	THR
Degree of protection	IP68
Temperature range from/to	-40 °C / 85 °C
Mechanical operation	> 100 Mating cycles
Weight (g)	11.44
Customs tariff number	85369010
Country of Origin	HU

Electrical parameters

Rated voltage	60 V
Rated impulse voltage	1500 V
Rated current	4.0 A
Insulation resistance	> 10 ⁹ Ω
Pollution degree	3
Overvoltage category	II
Insulating material group	II
EMC compliance	shieldable
Shield connection	Shielding plate

Material

Housing material	CuZn (Brass nickel plated)
Contact body material	PA
Contact material	CuSn (bronze)
Contact plating	Au (gold)
REACH SVHC	CAS 7439-92-1 (Lead)
SCIP number	58b1a404-4008-4697-a83b-49a2aaf6b95f

Authorization/approvals

Approvals	UL
-----------	----

Classifications

eCl@ss 11.1	27-44-01-02
ETIM 9.0	EC002635

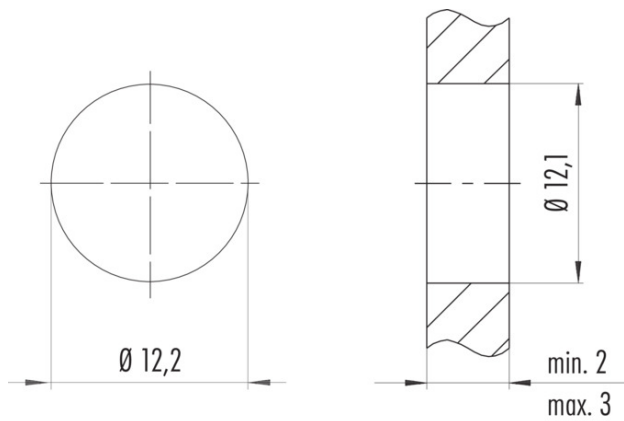
Product data sheet

Automation technology - Data transmission



Product description	M12 Female panel mount connector, Contacts: 5, shieldable, THR, IP68, UL
-	-
Area	M12-B series 766
Part no.	99 4442 458 05

Assembly instructions / Panel cut-out



Anzugsdrehmoment/Tightening torque
M12 x 1 1,00 Nm

Product data sheet

Automation technology - Data transmission



Product description	M12 Female panel mount connector, Contacts: 5, shieldable, THR, IP68, UL
-	-
Area	M12-B series 766
Part no.	99 4442 458 05

General Disclaim Notice

The connector must not be plugged or unplugged under load. Non-observance and improper use can result in personal injury.

The connectors have been developed for applications in plant engineering, control and electrical equipment construction. The user is responsible for checking whether the connectors can also be used in other areas of application.

The user must take suitable safety precautions to ensure that the connector cannot be accidentally disconnected.

Plug connectors with enclosure protection IP67 and IP68 are not suitable for use under water. For further information on the IP protection classes, please refer to the "Technical Information" download centre.