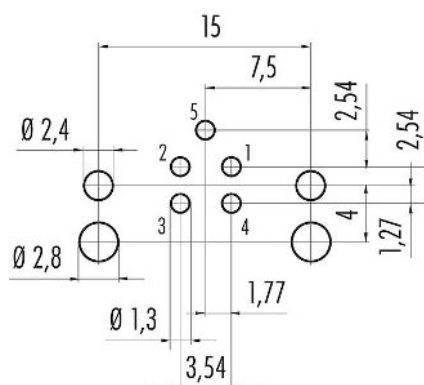


Product description	M12 Male angled panel mount connector, Contacts: 5, unshielded, THR, IP68, UL, for PCB assembly
Area	M12-A series 763
Part no.	99 3441 202 05

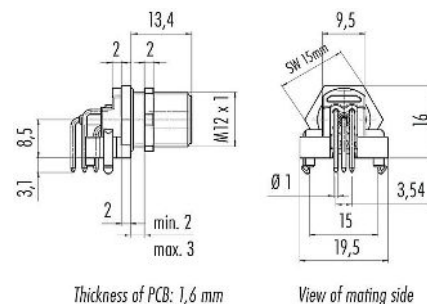
Illustration



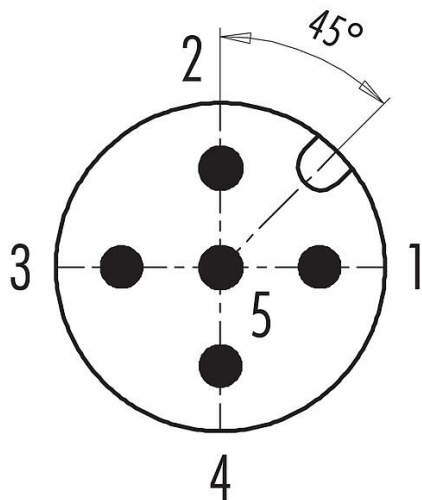
Conductor layout



Scale drawing



Contact arrangement (Plug-in side)



You can find the assembly instructions on the next page.

Technical data

General features

Part no.

99 3441 202 05

Connector design

Male angled panel mount connector

Type standard

DIN EN 61076-2-101

Product description	M12 Male angled panel mount connector, Contacts: 5, unshielded, THR, IP68, UL, for PCB assembly
Area	M12-A series 763
Part no.	99 3441 202 05

Version	Connector pin angled
Connector locking system	screw
Termination	THR
Degree of protection	IP68
Temperature range from/to	-40 °C / 85 °C
Mechanical operation	> 100 Mating cycles
Weight (g)	8.45
Customs tariff number	85369010
Country of Origin	HU

Electrical parameters

Rated voltage	60 V
Rated impulse voltage	1500 V
Rated current	4 A (3 A UL)
Insulation resistance	> 10 ¹⁰ Ω
Pollution degree	3
Insulating material group	III
EMC compliance	unshielded

Material

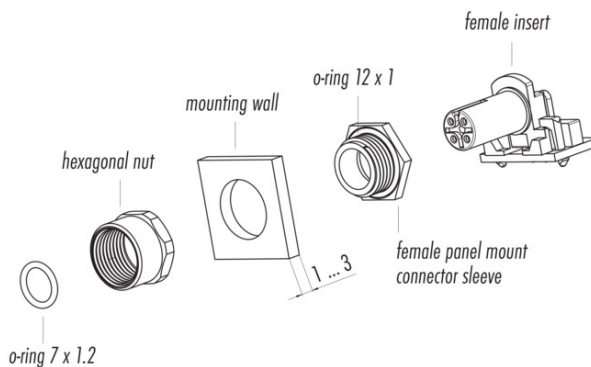
Housing material	CuZn (Brass nickel plated)
Contact body material	PA
Contact material	CuZn (brass)
Contact plating	Au (gold)
Locking material	CuZn (brass)
REACH SVHC	CAS 7439-92-1 (Lead)
SCIP number	a4834bdf-f415-4957-9917-5a370eae026

Authorization/approvals

Approvals	UL
-----------	----

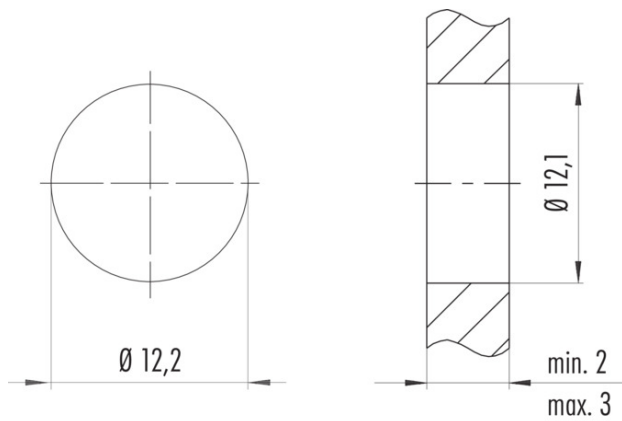
Assembly instructions

1. Fit the o-ring 12 x 1 onto the female panel mount connector sleeve and push it into the groove.
2. Push female panel mount connector sleeve through mounting wall.
3. Put on the nut and tighten it. Pay attention to the alignment of the female panel mount connector sleeve.
4. Insert the female insert into the female panel mount connector sleeve.
5. Thread the o-ring 7 x 1.2 onto the female insert and push it with a suitable tool in the direction of the stop surface of the female panel mount connector sleeve.



Product description	M12 Male angled panel mount connector, Contacts: 5, unshielded, THR, IP68, UL, for PCB assembly
-	-
Area	M12-A series 763
Part no.	99 3441 202 05

Assembly instructions / Panel cut-out



Anzugsdrehmoment/Tightening torque
M12 x 1 1,00 Nm

Product description	M12 Male angled panel mount connector, Contacts: 5, unshielded, THR, IP68, UL, for PCB assembly
-	-
Area	M12-A series 763
Part no.	99 3441 202 05

General Disclaim Notice

The connector must not be plugged or unplugged under load. Non-observance and improper use can result in personal injury.

The connectors have been developed for applications in plant engineering, control and electrical equipment construction. The user is responsible for checking whether the connectors can also be used in other areas of application.

The user must take suitable safety precautions to ensure that the connector cannot be accidentally disconnected.

Plug connectors with enclosure protection IP67 and IP68 are not suitable for use under water. For further information on the IP protection classes, please refer to the "Technical Information" download centre.