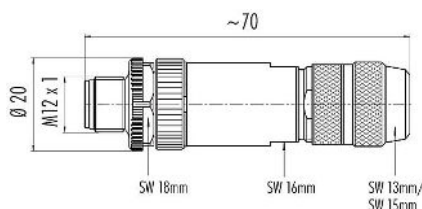


Product description	M12 Male cable connector, Contacts: 8, 5.0-8.0 mm, shieldable, screw clamp, IP67, UL
Area	M12-A series 713
Part no.	99 1489 814 08

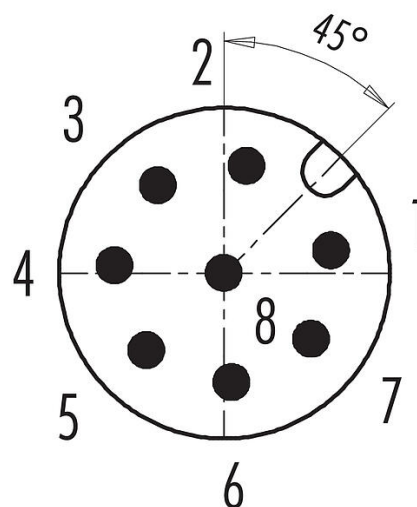
Illustration



Scale drawing



Contact arrangement (Plug-in side)



You can find the component part drawing and assembly instructions on the next page.

Technical data

General features

Part no.	99 1489 814 08
Connector design	Male cable connector
Type standard	DIN EN 61076-2-101
Version	Connector pin straight
Connector locking system	screw
Termination	screw clamp
Degree of protection	IP67
Cross-sectional area	max. 0.50 mm ² / AWG 20
Cable outlet	5.0-8.0 mm
Temperature range from/to	-40 °C / 85 °C
Mechanical operation	> 100 Mating cycles
Weight (g)	46.01
Customs tariff number	85369010
Country of Origin	DE

Electrical parameters

Rated voltage	30 V
Rated impulse voltage	800 V
Rated current	1.5 A (2 A UL)
Insulation resistance	> 10 ¹⁰ Ω

Product data sheet

Automation technology - Sensors and actuators



Product description	M12 Male cable connector, Contacts: 8, 5.0-8.0 mm, shieldable, screw clamp, IP67, UL
-	-
Area	M12-A series 713
Part no.	99 1489 814 08

Pollution degree	3
Overvoltage category	II
Insulating material group	III
EMC compliance	shieldable
Shield connection	Iris type spring

Material

Housing material	Zinc die-cast nickel-plated
Contact body material	PA
Contact material	CuZn (brass)
Contact plating	Au (gold)
Locking material	Zinc die-cast nickel-plated
REACH SVHC	CAS 7439-92-1 (Lead)
SCIP number	7d1c240c-8c6f-4a45-9a2b-977a097cbf80

Authorization/approvals

Approvals	UL
-----------	----

Classifications

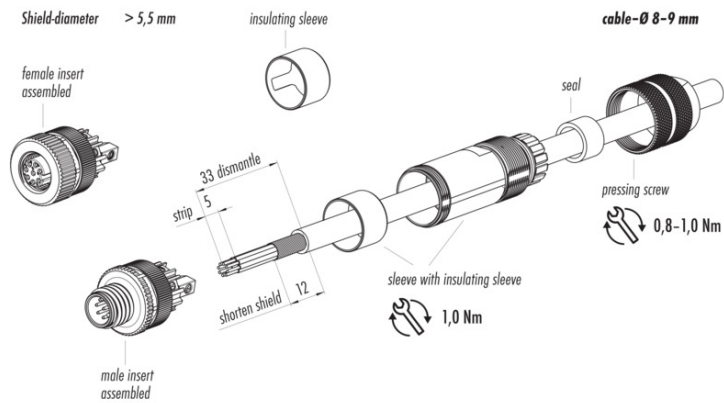
eCl@ss 11.1	27-44-01-02
ETIM 9.0	EC002635

Product description	M12 Male cable connector, Contacts: 8, 5.0-8.0 mm, shieldable, screw clamp, IP67, UL
Area	M12-A series 713
Part no.	99 1489 814 08

Assembly instructions

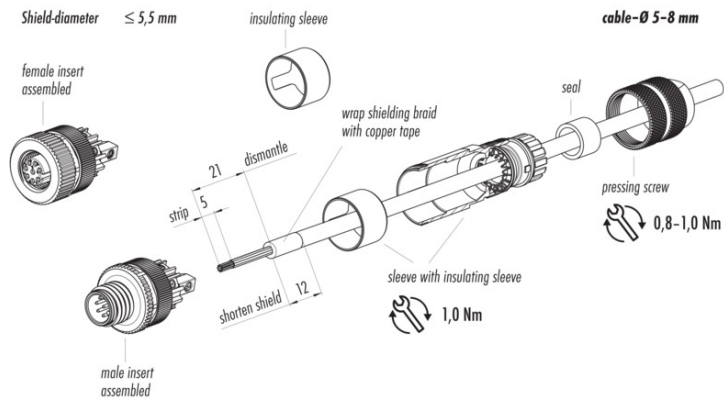
Shielding braid diameter > 5,5 mm (independent of cable-Ø)

1. Bead pre-assembled housing to cable (consisting of: assembled sleeve, seal and pressing screw).
2. Dismantle cable, strip single wires, shorten shielding braid. (Wrap with copper tape if necessary)
3. Screw on single wires: 8 pole: 0.2 Nm.
4. Screw sleeve to male/female insert.
5. Tighten pressing screw.



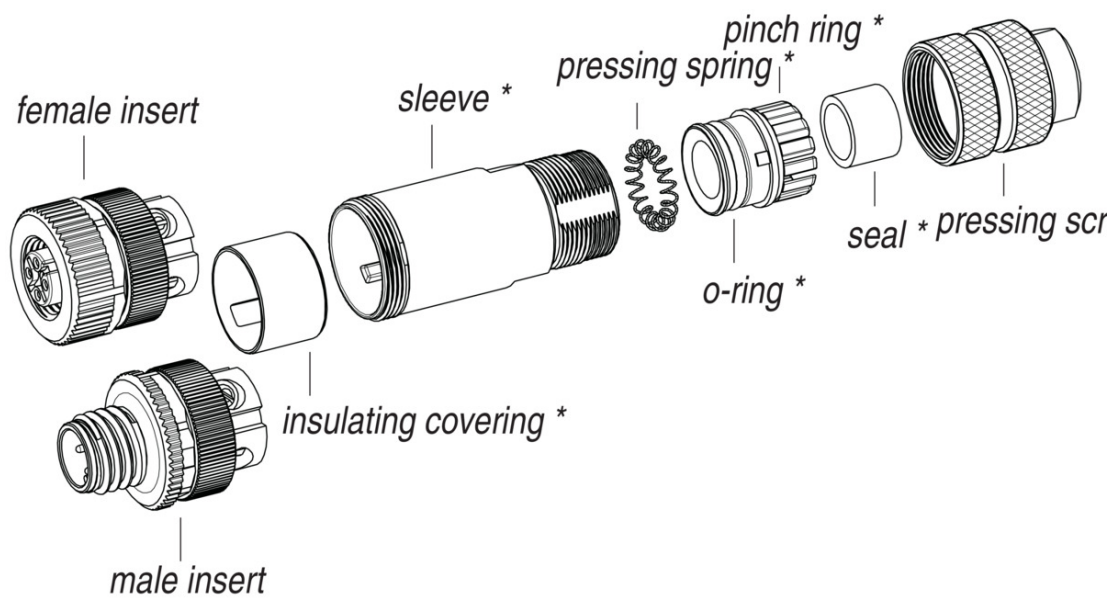
Shielding braid diameter ≤ 5,5 mm (independent of cable-Ø)

1. Bead pre-assembled housing to cable (consisting of: assembled sleeve, seal and pressing screw).
2. Dismantle cable, strip single wires, shorten shielding braid, revert to cable and wrap with copper tape.
3. Screw on single wires: 8 pole: 0.2 Nm.
4. Screw sleeve to male/female insert.
5. Tighten pressing screw.



Product description	M12 Male cable connector, Contacts: 8, 5.0-8.0 mm, shieldable, screw clamp, IP67, UL
Area	M12-A series 713
Part no.	99 1489 814 08

Component part drawing



* Premounted parts

Product description	M12 Male cable connector, Contacts: 8, 5.0-8.0 mm, shieldable, screw clamp, IP67, UL
-	-
Area	M12-A series 713
Part no.	99 1489 814 08

General Disclaim Notice

The connectors have been developed for applications in plant engineering, control and electrical equipment construction. The user is responsible for checking whether the connectors can also be used in other areas of application.

Plug connectors with enclosure protection IP67 and IP68 are not suitable for use under water. When used outdoors, the plug connectors must be protected separately against corrosion. For further information on the IP protection classes, please refer to the "Technical Information" download centre.

To lock the cable connector with the device connector, the threaded ring is tightened "hand-tight" (approx. 60 cNm).