

# Product data sheet

## Subminiature connectors

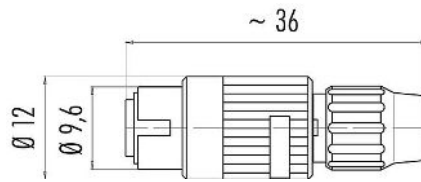


Product description	Bayonet Male cable connector, Contacts: 4, 3.0-4.0 mm, unshielded, solder, IP40
Area	Bayonet series 710
Part no.	99 0979 100 04

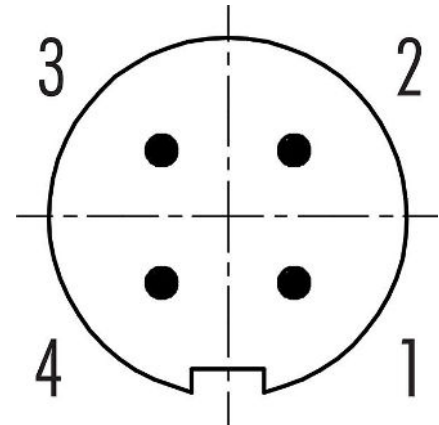
### Illustration



### Scale drawing



### Contact arrangement (Plug-in side)



You can find the assembly instructions on the next page.

## Technical data

### General features

Part no.	<b>99 0979 100 04</b>
Connector design	Male cable connector
Version	Connector pin straight
Connector locking system	Bayonet
Termination	solder
Degree of protection	IP40
Cross-sectional area	max. 0.25 mm <sup>2</sup> / AWG 24
Cable outlet	3.0-4.0 mm
Temperature range from/to	-40 °C / 85 °C
Mechanical operation	> 500 Mating cycles
Weight (g)	3.38
Customs tariff number	85369010

### Electrical parameters

Rated voltage	125 V
Rated impulse voltage	1500 V
Rated current	3,0 A
Insulation resistance	≥ 10 <sup>10</sup> Ω
Pollution degree	1
Overtoltage category	II
Insulating material group	III
EMC compliance	unshielded

### Material

Housing material	PA
------------------	----

# Product data sheet

## Subminiature connectors



Product description	<b>Bayonet Male cable connector, Contacts: 4, 3.0-4.0 mm, unshielded, solder, IP40</b>
-	-
Area	<b>Bayonet series 710</b>
Part no.	<b>99 0979 100 04</b>

Contact body material	PA (UL94 V-0)
Contact material	CuZn (brass)
Contact plating	Au (gold)
REACH SVHC	CAS 7439-92-1 (Lead)
SCIP number	f60dca26-9e8d-4b93-9ee3-6c1daa3c7ffd

### Classifications

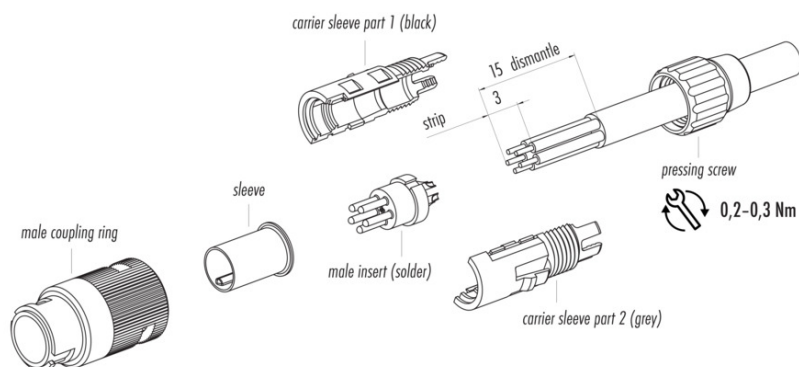
eCl@ss 11.1	27-44-01-02
ETIM 9.0	EC002635

### Declarations of conformity

Low Voltage Directive	2014/35/EU (EN 60204-1:2018;EN 60529:1991)
-----------------------	--

### Assembly instructions

1. Bead pressing screw to cable.
2. Dismantle cable to 15 mm length.
3. Strip and solder single wires.
4. Mount male insert into sleeve.
5. Insert sleeve with male insert into carrier sleeve part 2 (lower part grey).
5. Mount carrier sleeve part 1 (upper part black) on carrier sleeve part 2 (lower part grey).
6. Snap assembly group into coupling ring.
7. Tighten pressing screw.



Product description	<b>Bayonet Male cable connector, Contacts: 4, 3.0-4.0 mm, unshielded, solder, IP40</b>
-	-
Area	<b>Bayonet series 710</b>
Part no.	<b>99 0979 100 04</b>

### **General Disclaim Notice**

The connector must not be plugged or unplugged under load. Non-observance and improper use can result in personal injury.

The connectors have been developed for applications in plant engineering, control and electrical equipment construction. The user is responsible for checking whether the connectors can also be used in other areas of application.

Connectors which are used in circuits with voltages dangerous to the touch may only be installed and used by, or under the supervision of, persons with electrical engineering training, taking into account the applicable regulations and standards.