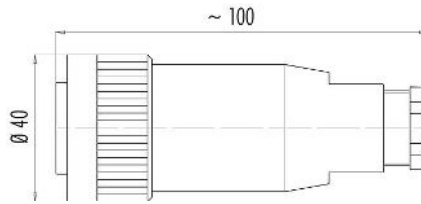


Product description	RD30 Female cable connector, Contacts: 4+PE, 14.0-18.0 mm, unshielded, screw clamp, IP65, ESTI+, VDE
Area	RD30 series 694
Part no.	99 0710 03 05

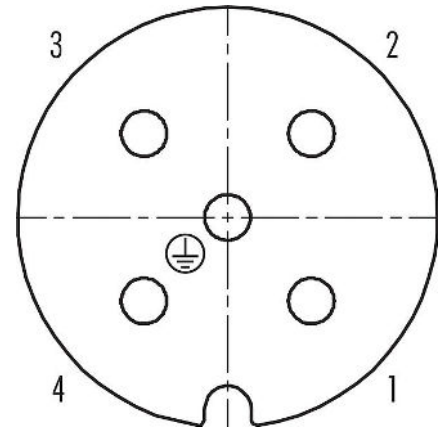
Illustration



Scale drawing



Contact arrangement (Plug-in side)



You can find the assembly instructions on the next page.

Technical data

General features

Part no.	99 0710 03 05
Connector design	Female cable connector
Version	Connector socket straight
Connector locking system	screw
Termination	screw clamp
Degree of protection	IP65
Cross-sectional area	2.50 mm ² / AWG 14
Cable outlet	14.0-18.0 mm
Temperature range from/to	-40 °C / 100 °C
Mechanical operation	> 500 Mating cycles
Weight (g)	86.13
Customs tariff number	85369010
Country of Origin	DE

Electrical parameters

Rated voltage	400 V
Rated impulse voltage	6000 V
Rated current	20.0 A
Insulation resistance	$\geq 10^{10} \Omega$
Pollution degree	3
Overvoltage category	III
Insulating material group	III
EMC compliance	unshielded

Product data sheet

Power connectors



Product description	RD30 Female cable connector, Contacts: 4+PE, 14.0-18.0 mm, unshielded, screw clamp, IP65, ESTI+, VDE
-	-
Area	RD30 series 694
Part no.	99 0710 03 05

Material

Housing material	PA
Contact body material	PA (UL94 HB)
Contact material	CuSn (bronze)
Contact plating	Ag (silver)
REACH SVHC	CAS 7439-92-1 (Lead)
SCIP number	e52182fe-f5ea-4732-adac-09e8b032a8be

Authorization/approvals

Approvals	ESTI+, VDE
-----------	------------

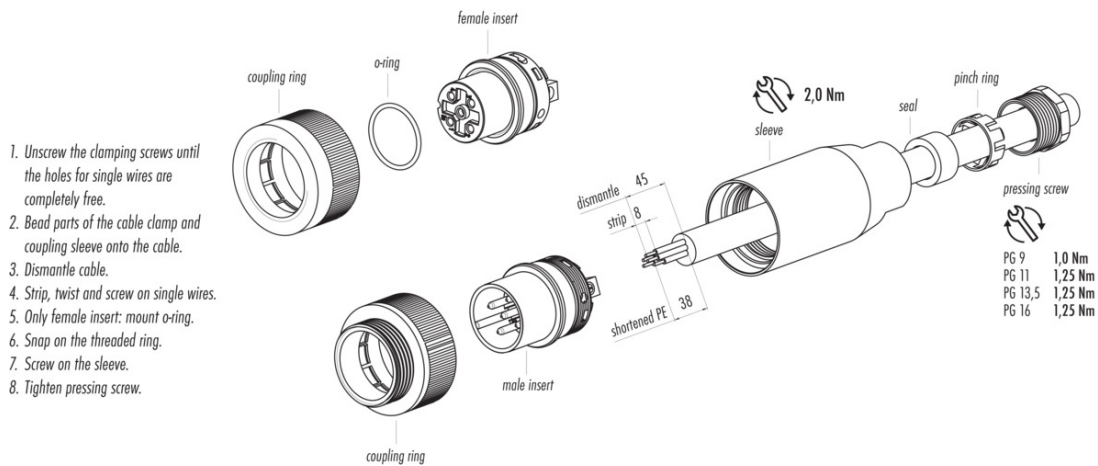
Classifications

eCl@ss 11.1	27-44-01-02
ETIM 9.0	EC002635

Declarations of conformity

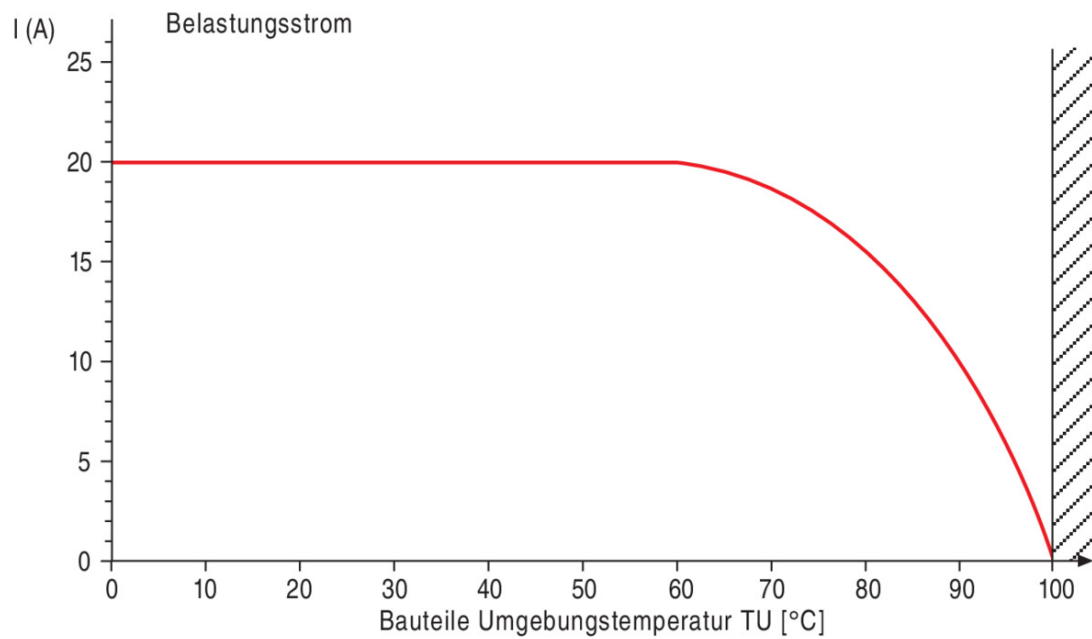
Low Voltage Directive	2014/35/EU (EN 60204-1:2018;EN 60529:1991)
-----------------------	--------------------------------------------

Assembly instructions



Product description	RD30 Female cable connector, Contacts: 4+PE, 14.0-18.0 mm, unshielded, screw clamp, IP65, ESTI+, VDE
Area	RD30 series 694
Part no.	99 0710 03 05

Derating curve



Product description	RD30 Female cable connector, Contacts: 4+PE, 14.0-18.0 mm, unshielded, screw clamp, IP65, ESTI+, VDE
-	-
Area	RD30 series 694
Part no.	99 0710 03 05

General Disclaim Notice

The connector must not be plugged or unplugged under load. Non-observance and improper use can result in personal injury.

The connectors have been developed for applications in plant engineering, control and electrical equipment construction. The user is responsible for checking whether the connectors can also be used in other areas of application.

To protect against unintentional opening of the connector, the thread between the housing and the connector head must be secured with a suitable cyanoacrylate adhesive when used in circuits with voltages dangerous to the touch. This does not apply to connectors used in SELV and PELV circuits according to IEC 61140 (EN 61140, VDE 0140-1).

Connectors which are used in circuits with voltages dangerous to the touch may only be installed and used by, or under the supervision of, persons with electrical engineering training, taking into account the applicable regulations and standards.

The user must take suitable safety precautions to ensure that the connector cannot be accidentally disconnected.

Plug connectors with enclosure protection IP67 and IP68 are not suitable for use under water. When used outdoors, the plug connectors must be protected separately against corrosion. For further information on the IP protection classes, please refer to the "Technical Information" download centre.

To lock the cable connector with the device connector, the threaded ring is tightened "hand-tight" (approx. 50 cNm).