

# Product data sheet

## Subminiature connectors

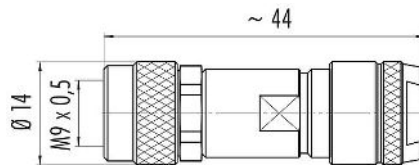


Product description	<b>M9 Female cable connector, Contacts: 4, 4.0-5.5 mm, shieldable, solder, IP67</b>
Area	<b>M9 IP67 series 712</b>
Part no.	<b>99 0410 115 04</b>

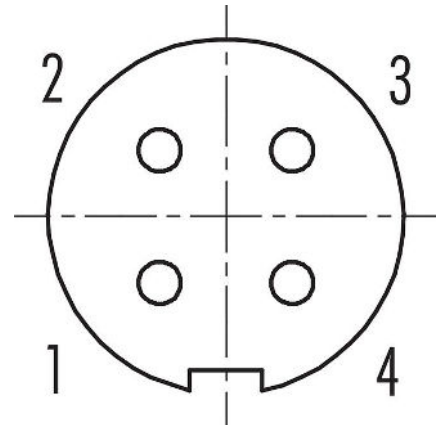
### Illustration



### Scale drawing



### Contact arrangement (Plug-in side)



You can find the assembly instructions on the next page.

### Technical data

#### General features

Part no.	<b>99 0410 115 04</b>
Connector design	Female cable connector
Version	Connector socket straight
Connector locking system	screw
Termination	solder
Degree of protection	IP67
Cross-sectional area	max. 0.25 mm <sup>2</sup> / AWG 24
Cable outlet	4.0-5.5 mm
Temperature range from/to	-40 °C / 85 °C
Mechanical operation	> 500 Mating cycles
Weight (g)	25.59
Customs tariff number	85369010
Country of Origin	DE

#### Electrical parameters

Rated voltage	125 V
Rated impulse voltage	1500 V
Rated current	3,0 A
Insulation resistance	≥ 10 <sup>10</sup> Ω
Pollution degree	1
Overvoltage category	II
Insulating material group	III
EMC compliance	shieldable
Shield connection	Iris type spring

# Product data sheet

## Subminiature connectors



Product description	<b>M9 Female cable connector, Contacts: 4, 4.0-5.5 mm, shieldable, solder, IP67</b>
-	-
Area	<b>M9 IP67 series 712</b>
Part no.	<b>99 0410 115 04</b>

### Material

Contact body material	PA (UL94 V-0)
Contact material	CuSn (bronze)
Contact plating	Au (gold)
Locking material	CuZn (brass)
REACH SVHC	CAS 7439-92-1 (Lead)
SCIP number	52efd2d0-b80a-4a9d-95f0-6dd7d70f04a2

### Classifications

eCl@ss 11.1	27-44-01-02
ETIM 9.0	EC002635

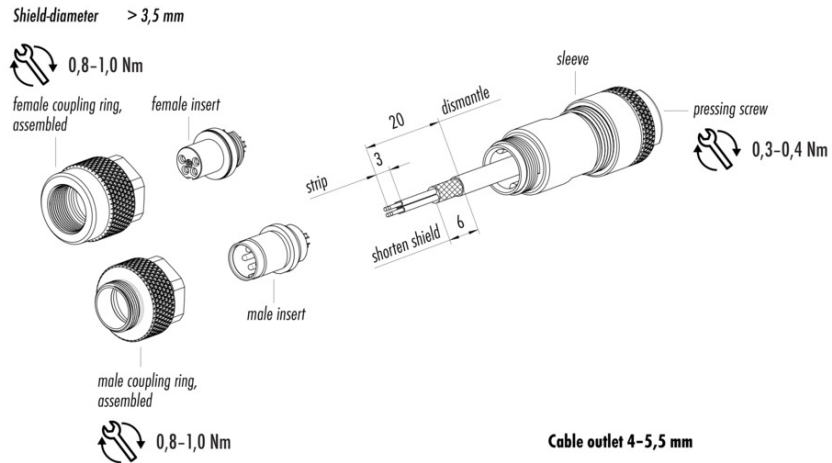
### Declarations of conformity

Low Voltage Directive	2014/35/EU (EN 60204-1:2018;EN 60529:1991)
-----------------------	--

Product description	<b>M9 Female cable connector, Contacts: 4, 4.0-5.5 mm, shieldable, solder, IP67</b>
Area	<b>M9 IP67 series 712</b>
Part no.	<b>99 0410 115 04</b>

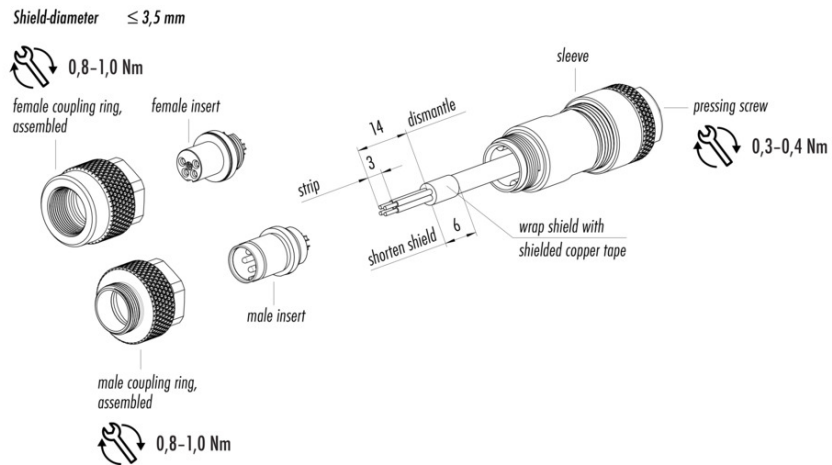
**Assembly instructions**

- Shield-diameter > 3,5 mm**
1. Bead housing to cable.
  2. Strip single wires, shorten shielding braid.
  3. Solder single wires.
  4. Screw housing to contact insert and fix pressing screw.



**Cable outlet 4-5,5 mm**

- Shield-diameter ≤ 3,5 mm**
1. Bead housing to cable.
  2. Strip single cores, shorten shielding braid, put braid over cable coating, wrap it approx. 1 1/2 times with shielded copper tape and shorten tape.
  3. Solder wires.
  4. Screw housing to male or female contact carrier and fix pressing screw.



Product description	<b>M9 Female cable connector, Contacts: 4, 4.0-5.5 mm, shieldable, solder, IP67</b>
-	-
Area	<b>M9 IP67 series 712</b>
Part no.	<b>99 0410 115 04</b>

### **General Disclaim Notice**

The connector must not be plugged or unplugged under load. Non-observance and improper use can result in personal injury.

The connectors have been developed for applications in plant engineering, control and electrical equipment construction. The user is responsible for checking whether the connectors can also be used in other areas of application.

Connectors which are used in circuits with voltages dangerous to the touch may only be installed and used by, or under the supervision of, persons with electrical engineering training, taking into account the applicable regulations and standards.

Plug connectors with enclosure protection IP67 and IP68 are not suitable for use under water. When used outdoors, the plug connectors must be protected separately against corrosion. For further information on the IP protection classes, please refer to the "Technical Information" download centre.

To lock the cable connector with the device connector, the threaded ring is tightened "hand-tight" (approx. 50 cNm).