

Product data sheet

Subminiature connectors

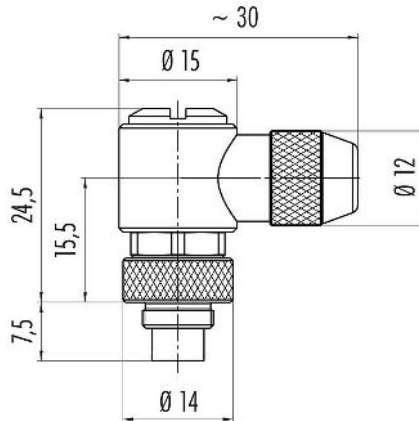


Product description	M9 Male angled connector, Contacts: 4, 3.5-5.0 mm, shieldable, solder, IP67
Area	M9 IP67 series 712
Part no.	99 0409 75 04

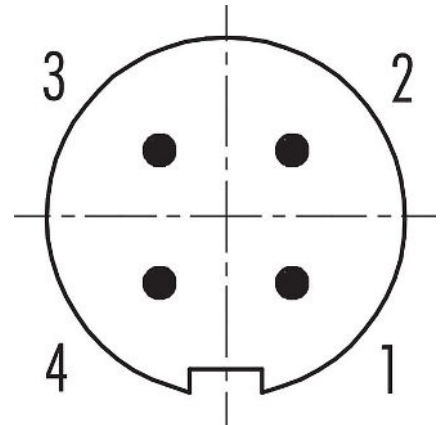
Illustration



Scale drawing



Contact arrangement (Plug-in side)



You can find the assembly instructions on the next page.

Technical data

General features

Part no.	99 0409 75 04
Connector design	Male angled connector
Version	Connector pin angled
Connector locking system	screw
Termination	solder
Degree of protection	IP67
Cross-sectional area	max. 0.25 mm ² / AWG 24
Cable outlet	3.5-5.0 mm
Twistability	180° (2 coding options)
Temperature range from/to	-40 °C / 85 °C
Mechanical operation	> 500 Mating cycles
Weight (g)	24.66
Customs tariff number	85369010
Country of Origin	DE

Electrical parameters

Rated voltage	125 V
Rated impulse voltage	1500 V
Rated current	3,0 A
Insulation resistance	≥ 10 ¹⁰ Ω
Pollution degree	1
Overvoltage category	II
Insulating material group	III
EMC compliance	shieldable
Shield connection	Shielding ring

Product data sheet

Subminiature connectors



Product description	M9 Male angled connector, Contacts: 4, 3.5-5.0 mm, shieldable, solder, IP67
-	-
Area	M9 IP67 series 712
Part no.	99 0409 75 04

Material

Contact body material	PBT (UL94 V-0)
Contact material	CuZn (brass)
Contact plating	Au (gold)
Locking material	CuZn (brass)
REACH SVHC	CAS 96-45-7 (Imidazolidine-2-thione) CAS 7439-92-1 (Lead)
SCIP number	ef554881-b6c5-4490-b9e0-3c5876abcdf8

Classifications

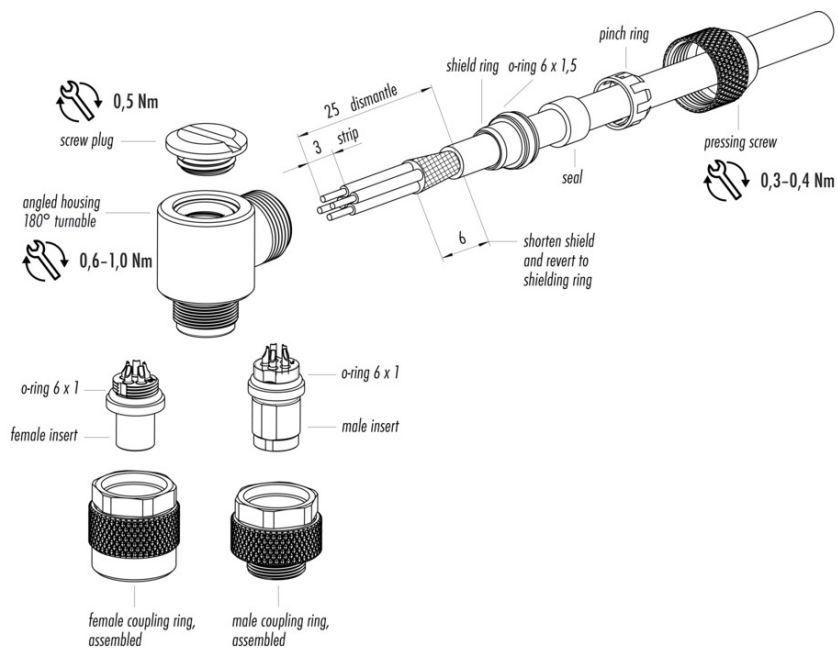
eCl@ss 11.1	27-44-01-02
ETIM 9.0	EC002635

Declarations of conformity

Low Voltage Directive	2014/35/EU (EN 60204-1:2018;EN 60529:1991)
-----------------------	--

Assembly instructions

1. Bead parts to cable.
2. Dismantle cable to 25 mm length.
3. Strip single wires (L = 3 mm), widen shield and revert to shielding ring.
4. Bead single wires through housing. Mount shielding ring, seal and pinch ring. Turn on pressing screw to fix the cable.
5. Solder single wires.
6. Screw housing to contact insert and tighten pressing screw.
7. Tighten screw plug.



Product description	M9 Male angled connector, Contacts: 4, 3.5-5.0 mm, shieldable, solder, IP67
-	-
Area	M9 IP67 series 712
Part no.	99 0409 75 04

General Disclaim Notice

The connector must not be plugged or unplugged under load. Non-observance and improper use can result in personal injury.

The connectors have been developed for applications in plant engineering, control and electrical equipment construction. The user is responsible for checking whether the connectors can also be used in other areas of application.

Connectors which are used in circuits with voltages dangerous to the touch may only be installed and used by, or under the supervision of, persons with electrical engineering training, taking into account the applicable regulations and standards.

Plug connectors with enclosure protection IP67 and IP68 are not suitable for use under water. When used outdoors, the plug connectors must be protected separately against corrosion. For further information on the IP protection classes, please refer to the "Technical Information" download centre.

To lock the cable connector with the device connector, the threaded ring is tightened "hand-tight" (approx. 50 cNm).