

Product data sheet

Subminiature connectors

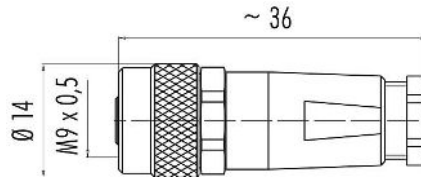


Product description	M9 Female cable connector, Contacts: 2, 3.5-5.0 mm, shieldable, solder, IP67
Area	M9 IP67 series 712
Part no.	99 0402 10 02

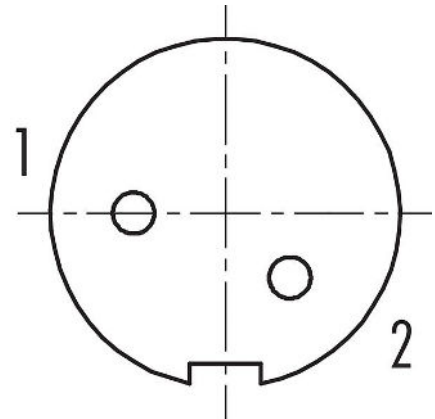
Illustration



Scale drawing



Contact arrangement (Plug-in side)



You can find the assembly instructions on the next page.

Technical data

General features

Part no.	99 0402 10 02
Connector design	Female cable connector
Version	Connector socket straight
Connector locking system	screw
Termination	solder
Degree of protection	IP67
Cross-sectional area	max. 0.25 mm ² / AWG 24
Cable outlet	3.5-5.0 mm
Temperature range from/to	-40 °C / 85 °C
Mechanical operation	> 500 Mating cycles
Weight (g)	20.22
Customs tariff number	85369010
Country of Origin	DE

Electrical parameters

Rated voltage	125 V
Rated impulse voltage	1500 V
Rated current	4.0 A
Insulation resistance	≥ 10 ¹⁰ Ω
Pollution degree	1
Overvoltage category	II
Insulating material group	III
EMC compliance	shieldable
Shield connection	Shield cuff

Product data sheet

Subminiature connectors



Product description	M9 Female cable connector, Contacts: 2, 3.5-5.0 mm, shieldable, solder, IP67
-	-
Area	M9 IP67 series 712
Part no.	99 0402 10 02

Material

Housing material	PA/CuZn (Nickel-plated brass)
Contact body material	PA (UL94 V-0)
Contact material	CuSn (bronze)
Contact plating	Au (gold)
Locking material	CuZn (brass)
REACH SVHC	CAS 7439-92-1 (Lead)
SCIP number	5b42c3e3-03c1-44a4-8548-d62fd4494a85

Classifications

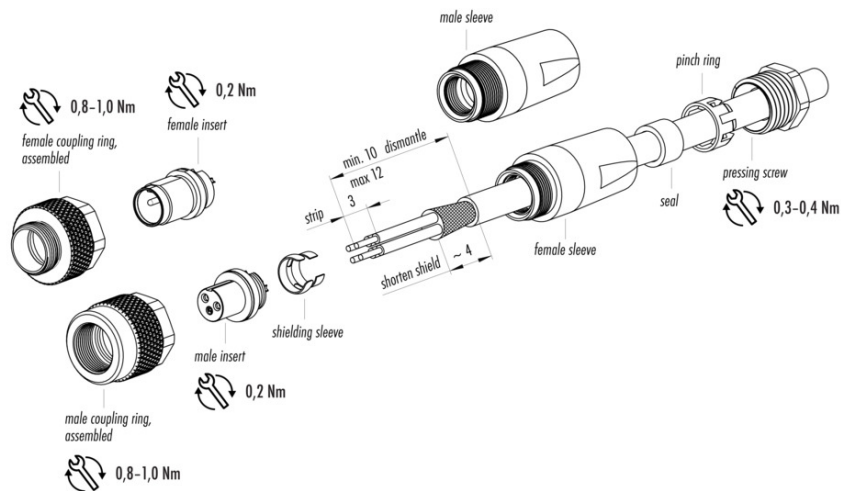
eCl@ss 11.1	27-44-01-02
ETIM 9.0	EC002635

Declarations of conformity

Low Voltage Directive	2014/35/EU (EN 60204-1:2018;EN 60529:1991)
-----------------------	--

Assembly instructions

1. Bead male/female sleeve, seal, pinch ring and pressing screw to cable.
2. Dismantle cable to min. 10 and max 12 mm length.
3. Strip single wires.
4. Fold shield back, adjust shielding sleeve to cable diameter and solder it to shield. Cut off projecting shielding braid.
5. Solder single wires.
6. Screw the sleeve onto the assembled contact insert.
7. Tighten pressing screw.



Product description	M9 Female cable connector, Contacts: 2, 3.5-5.0 mm, shieldable, solder, IP67
-	-
Area	M9 IP67 series 712
Part no.	99 0402 10 02

General Disclaim Notice

The connector must not be plugged or unplugged under load. Non-observance and improper use can result in personal injury.

The connectors have been developed for applications in plant engineering, control and electrical equipment construction. The user is responsible for checking whether the connectors can also be used in other areas of application.

Connectors which are used in circuits with voltages dangerous to the touch may only be installed and used by, or under the supervision of, persons with electrical engineering training, taking into account the applicable regulations and standards.

Plug connectors with enclosure protection IP67 and IP68 are not suitable for use under water. When used outdoors, the plug connectors must be protected separately against corrosion. For further information on the IP protection classes, please refer to the "Technical Information" download centre.

To lock the cable connector with the device connector, the threaded ring is tightened "hand-tight" (approx. 50 cNm).