

# Product data sheet

## Power connectors

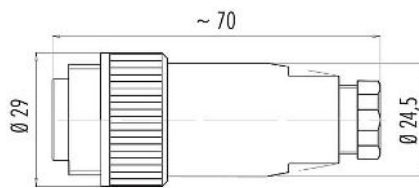


Product description	RD24 Male cable connector, Contacts: 3+PE, 6.0-9.0 mm, unshielded, screw clamp, IP67, PG 9
Area	RD24 series 692
Part no.	99 0209 00 04

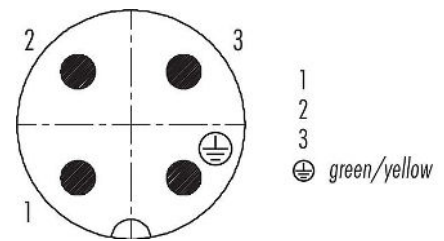
### Illustration



### Scale drawing



### Contact arrangement (Plug-in side)



You can find the component part drawing on the next page.

### Technical data

#### General features

Part no.	<b>99 0209 00 04</b>
Connector design	Male cable connector
Version	Connector pin straight
Connector locking system	screw
Termination	screw clamp
Degree of protection	IP67
Cross-sectional area	IP65 with cable diameter 6-7 mm
Cable outlet	max. 2.50 mm <sup>2</sup> / AWG 14
Temperature range from/to	6.0-9.0 mm
Mechanical operation	-40 °C / 100 °C
Weight (g)	> 500 Mating cycles
Customs tariff number	33.68
Country of Origin	85369010
	DE

#### Electrical parameters

Rated voltage	400 V
Rated voltage UL	11768
Rated impulse voltage	6000 V
Rated current	16.0 A
Insulation resistance	$\geq 10^{10} \Omega$
Pollution degree	3
Overvoltage category	III
Insulating material group	III
EMC compliance	unshielded

#### Material

Contact body material	PBT (UL94 V-0)
-----------------------	----------------

# Product data sheet

## Power connectors



Product description	<b>RD24 Male cable connector, Contacts: 3+PE, 6.0-9.0 mm, unshielded, screw clamp, IP67, PG 9</b>
-	-
Area	<b>RD24 series 692</b>
Part no.	<b>99 0209 00 04</b>

Contact material	CuZn (brass)
Contact plating	Ag (silver)
REACH SVHC	CAS 7439-92-1 (Lead)
SCIP number	9806f5ef-2caa-48bd-ab11-ad44181b85f2

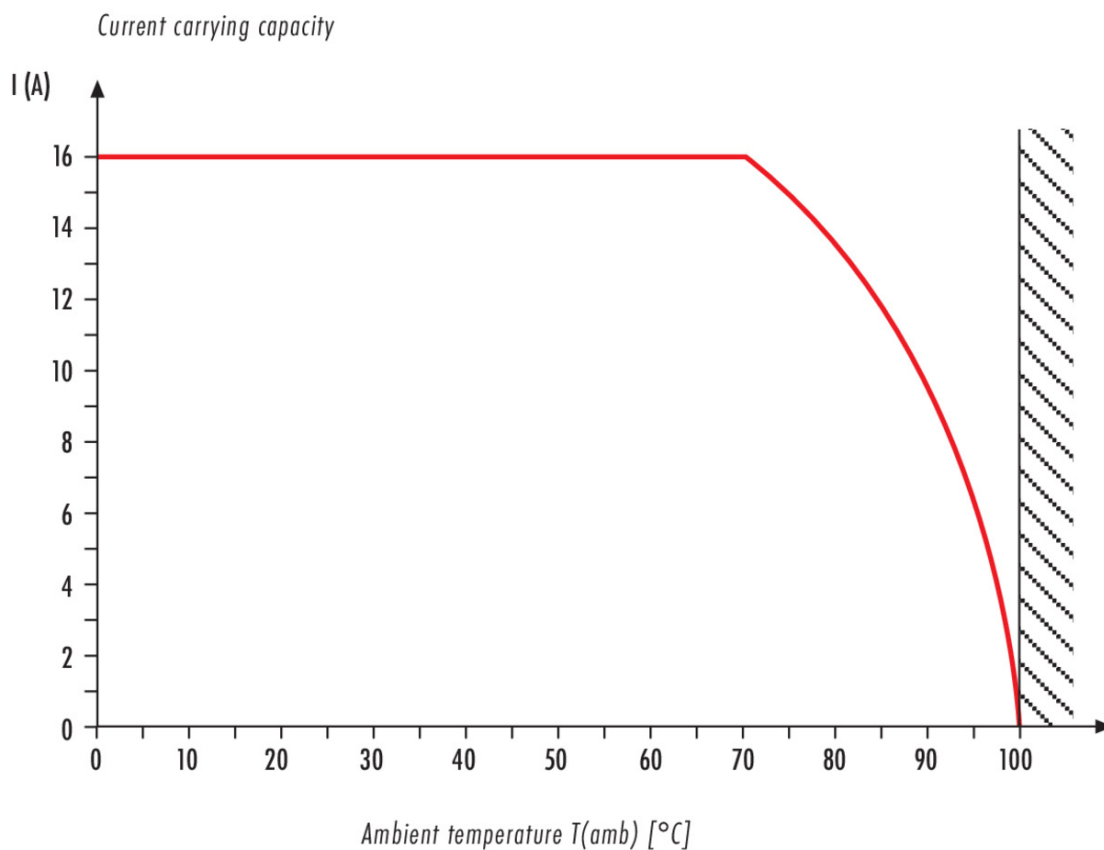
### Classifications

eCl@ss 11.1	27-44-01-02
ETIM 9.0	EC002635

### Declarations of conformity

Low Voltage Directive	2014/35/EU (EN 60204-1:2018;EN 60529:1991)
-----------------------	--

### Derating curve



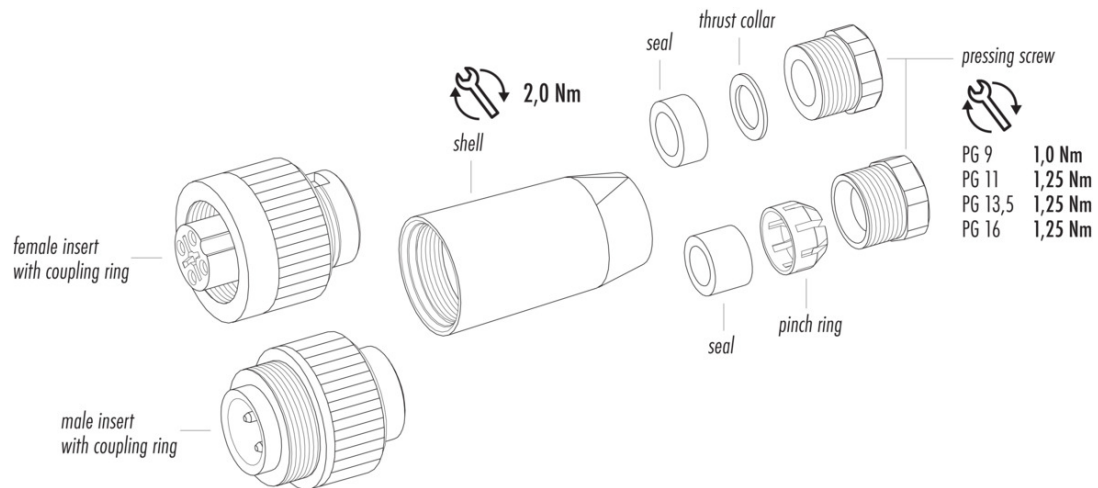
# Product data sheet

## Power connectors



Product description	<b>RD24 Male cable connector, Contacts: 3+PE, 6.0-9.0 mm, unshielded, screw clamp, IP67, PG 9</b>
-	-
Area	<b>RD24 series 692</b>
Part no.	<b>99 0209 00 04</b>

### Component part drawing



Product description	<b>RD24 Male cable connector, Contacts: 3+PE, 6.0-9.0 mm, unshielded, screw clamp, IP67, PG 9</b>
-	-
Area	<b>RD24 series 692</b>
Part no.	<b>99 0209 00 04</b>

## General Disclaim Notice

The connector must not be plugged or unplugged under load. Non-observance and improper use can result in personal injury.

The connectors have been developed for applications in plant engineering, control and electrical equipment construction. The user is responsible for checking whether the connectors can also be used in other areas of application.

To protect against unintentional opening of the connector, the thread between the housing and the connector head must be secured with a suitable cyanoacrylate adhesive when used in circuits with voltages dangerous to the touch. This does not apply to connectors used in SELV and PELV circuits according to IEC 61140 (EN 61140, VDE 0140-1).

Connectors which are used in circuits with voltages dangerous to the touch may only be installed and used by, or under the supervision of, persons with electrical engineering training, taking into account the applicable regulations and standards.

The user must take suitable safety precautions to ensure that the connector cannot be accidentally disconnected.

Plug connectors with enclosure protection IP67 and IP68 are not suitable for use under water. When used outdoors, the plug connectors must be protected separately against corrosion. For further information on the IP protection classes, please refer to the "Technical Information" download centre.

To lock the cable connector with the device connector, the threaded ring is tightened "hand-tight" (approx. 50 cNm).