

# Product data sheet

## Miniature connectors

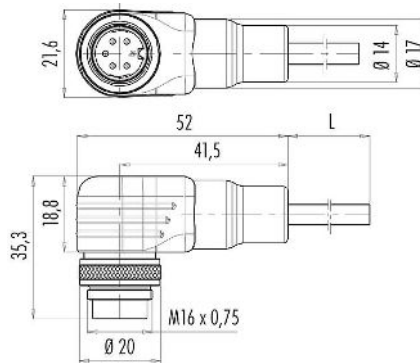


Product description	<b>M16 Male angled connector, Contacts: 8 (08-a), shielded, moulded on the cable, IP67, PUR, black, 8 x 0.25 mm<sup>2</sup>, 2 m</b>
Area	<b>M16 IP67 series 425</b>
Part no.	<b>79 6371 200 08</b>

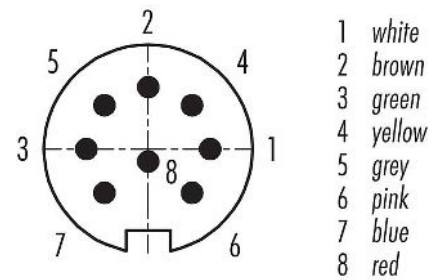
### Illustration



### Scale drawing



### Contact arrangement (Plug-in side)



### Technical data

#### General features

Part no.	<b>79 6371 200 08</b>
Connector design	Male angled connector
Type standard	DIN EN 61076-2-106
Cable length	2 m
Version	Connector pin angled
Connector locking system	screw
Termination	moulded on the cable
Degree of protection	IP67
Cross-sectional area	0.25 mm <sup>2</sup> / AWG 24
Temperature range from/to	-25 °C / 70 °C
Mechanical operation	> 500 Mating cycles
Weight (g)	155.00
Customs tariff number	85444290
Country of Origin	HU

#### Electrical parameters

Rated voltage	60 V
Rated impulse voltage	500 V
Rated current	3,0 A
Insulation resistance	≥ 10 <sup>10</sup> Ω
Pollution degree	1
Overvoltage category	I
Insulating material group	III
EMC compliance	shielded
Shield connection	Shield on the threaded ring

#### Material

Housing material	PUR
------------------	-----

# Product data sheet

## Miniature connectors



Product description	<b>M16 Male angled connector, Contacts: 8 (08-a), shielded, moulded on the cable, IP67, PUR, black, 8 x 0.25 mm<sup>2</sup>, 2 m</b>
-	-
Area	<b>M16 IP67 series 425</b>
Part no.	<b>79 6371 200 08</b>

Contact body material	PBT (UL94 V-0)
Contact material	CuZn (brass)
Contact plating	Au (gold)
REACH SVHC	CAS 7439-92-1 (Lead)
SCIP number	9de90fa9-d34a-46d1-8168-546aee9225a8

### Classifications

eCl@ss 11.1	27-06-03-11
ETIM 9.0	EC002638

### Declarations of conformity

Low Voltage Directive	2014/35/EU (EN 60204-1:2018;EN 60529:1991)
RoHS Directive	2011/65/EU (EN 50581:2012)

### Cable data - Structure of the cable

Cable diameter	6.0 mm
Cross section	8 x 0.25 mm <sup>2</sup>
Sheath material	PUR
Single-lead insulation	PP9Y halogen-free
Single-lead structure	32 x 0.10 mm
Cable color	black

### Cable data - Electrical properties

Conductor resistance	79 Ω/Km (20°C)
----------------------	----------------

### Cable data - Mechanical properties

Bending radius, fixed cable	≥ 5 x Ø
Bending radius, moving cable	≥ 10 x Ø
Bending cycles	> 2 million
Permitted acceleration	5 m/s <sup>2</sup>
Travel distance, horizontal	5 m/s <sup>2</sup> -> 5 m
Travel distance, vertical	5 m/s <sup>2</sup> -> 2 m
Travel speed	≤ 200 m/min (5 m horizontal distance)

### Cable data - Thermal properties

Temperature range cable in move from/to	-25 °C / 90 °C
Temperature range cable fixed from/to	-50 °C / 90 °C

### Cable data - Other features

Halogen free	yes
--------------	-----

# Product data sheet

## Miniature connectors



Product description	<b>M16 Male angled connector, Contacts: 8 (08-a), shielded, moulded on the cable, IP67, PUR, black, 8 x 0.25 mm<sup>2</sup>, 2 m</b>
-	-
Area	<b>M16 IP67 series 425</b>
Part no.	<b>79 6371 200 08</b>

### General Disclaim Notice

The connectors have been developed for applications in plant engineering, control and electrical equipment construction. The user is responsible for checking whether the connectors can also be used in other areas of application.

Plug connectors with enclosure protection IP67 and IP68 are not suitable for use under water. When used outdoors, the plug connectors must be protected separately against corrosion. For further information on the IP protection classes, please refer to the "Technical Information" download centre.

To lock the cable connector with the device connector, the threaded ring is tightened "hand-tight" (approx. 50 cNm).