

Product data sheet

Miniature connectors

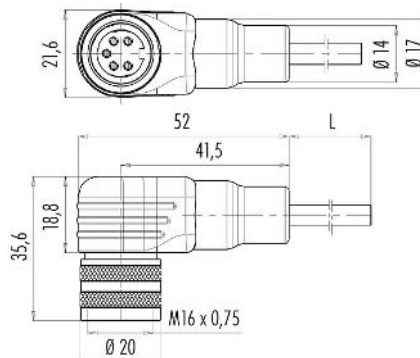


Product description	M16 Female angled connector, Contacts: 12 (12-a), shielded, moulded on the cable, IP67, TPE-U (PUR), black, 12 x 0.25 mm², 2 m
Area	M16 IP67 series 425
Part no.	79 6330 200 12

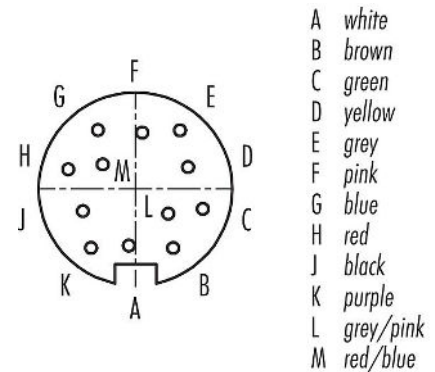
Illustration



Scale drawing



Contact arrangement (Plug-in side)



Technical data

General features

Part no.	79 6330 200 12
Connector design	Female angled connector
Type standard	DIN EN 61076-2-106
Cable length	2 m
Version	Connector socket angled
Connector locking system	screw
Termination	moulded on the cable
Degree of protection	IP67
Cross-sectional area	0.25 mm ² / AWG 24
Temperature range from/to	-25 °C / 70 °C
Mechanical operation	> 500 Mating cycles
Weight (g)	216.10
Customs tariff number	85444290
Country of Origin	HU

Electrical parameters

Rated voltage	60 V
Rated impulse voltage	500 V
Rated current	3,0 A
Insulation resistance	≥ 10 ¹⁰ Ω
Pollution degree	1
Overvoltage category	I
Insulating material group	III
EMC compliance	shielded
Shield connection	Shield on the threaded ring

Product data sheet

Miniature connectors



Product description	M16 Female angled connector, Contacts: 12 (12-a), shielded, moulded on the cable, IP67, TPE-U (PUR), black, 12 x 0.25 mm², 2 m
-	-
Area	M16 IP67 series 425
Part no.	79 6330 200 12

Material

Housing material	PUR
Contact body material	PBT (UL94 V-0)
Contact material	CuSn (bronze)
Contact plating	Au (gold)
REACH SVHC	CAS 7439-92-1 (Lead)
SCIP number	cd07d60d-91c9-4e9e-a50b-553a94f7d302

Classifications

eCl@ss 11.1	27-06-03-11
ETIM 9.0	EC002638

Declarations of conformity

Low Voltage Directive	2014/35/EU (EN 60204-1:2018;EN 60529:1991)
RoHS Directive	2011/65/EU (EN 50581:2012)

Cable data - Structure of the cable

Cable diameter	7.8 mm
Cross section	12 x 0.25 mm ²
Sheath material	TPE-U (PUR)
Single-lead insulation	PE 2Y
Single-lead structure	14 x 0.15 mm
Cable color	black

Cable data - Electrical properties

Conductor resistance	79 Ω/Km (20°C)
----------------------	----------------

Cable data - Mechanical properties

Bending radius, fixed cable	≥ 5 x Ø
Bending radius, moving cable	≥ 12 x Ø

Cable data - Thermal properties

Temperature range cable in move from/to	-5 °C / 70 °C
Temperature range cable fixed from/to	-25 °C / 70 °C

Cable data - Other features

Halogen free	yes
--------------	-----

Product data sheet

Miniature connectors



Product description	M16 Female angled connector, Contacts: 12 (12-a), shielded, moulded on the cable, IP67, TPE-U (PUR), black, 12 x 0.25 mm², 2 m
-	-
Area	M16 IP67 series 425
Part no.	79 6330 200 12

General Disclaim Notice

The connectors have been developed for applications in plant engineering, control and electrical equipment construction. The user is responsible for checking whether the connectors can also be used in other areas of application.

Plug connectors with enclosure protection IP67 and IP68 are not suitable for use under water. When used outdoors, the plug connectors must be protected separately against corrosion. For further information on the IP protection classes, please refer to the "Technical Information" download centre.

To lock the cable connector with the device connector, the threaded ring is tightened "hand-tight" (approx. 50 cNm).