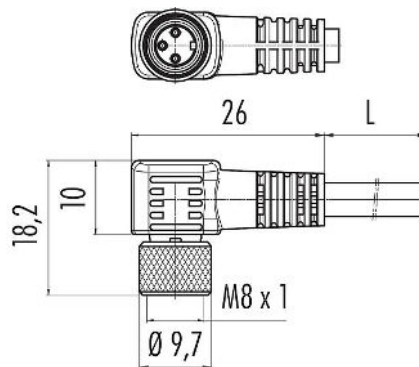


Product description	<b>M8 Female angled connector, Contacts: 4, shielded, moulded on the cable, IP67, PUR, black, 4 x 0.34 mm<sup>2</sup>, 2 m</b>
Area	<b>M8 series 718</b>
Part no.	<b>77 3508 0000 50004-0200</b>

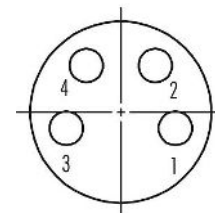
### Illustration



### Scale drawing



### Contact arrangement (Plug-in side)



- 1 brown
- 2 white
- 3 blue
- 4 black

*Shielded versions:  
shield on housing*

## Technical data

### General features

Part no.	<b>77 3508 0000 50004-0200</b>
Connector design	Female angled connector
Type standard	DIN EN 61076-2-104
Cable length	2 m
Version	Connector socket angled
Connector locking system	screw
Termination	moulded on the cable
Degree of protection	IP67
Cross-sectional area	0.34 mm <sup>2</sup> / AWG 22
Temperature range from/to	-25 °C / 85 °C
Mechanical operation	> 100 Mating cycles
Weight (g)	156
Customs tariff number	85444290
Country of Origin	DE

### Electrical parameters

Rated voltage	60 V
Rated impulse voltage	1500 V
Rated current	4.0 A
Pollution degree	3
Overvoltage category	III
Insulating material group	II
EMC compliance	shielded
Shield connection	Shield on the threaded ring

Product description	<b>M8 Female angled connector, Contacts: 4, shielded, moulded on the cable, IP67, PUR, black, 4 x 0.34 mm<sup>2</sup>, 2 m</b>
-	-
Area	<b>M8 series 718</b>
Part no.	<b>77 3508 0000 50004-0200</b>

## Material

Housing material	PUR
Contact body material	PUR
Contact material	CuZn (brass)
Contact plating	Au (gold)
Locking material	CuZn (brass)
REACH SVHC	CAS 7439-92-1 (Lead)
SCIP number	097f0baa-4d78-45e1-9db9-048d1ed19521

## Classifications

eCl@ss 11.1	27-06-03-11
ETIM 9.0	EC002638

## Declarations of conformity

Low Voltage Directive	2014/35/EU (EN 60529:1991;EN 60204-1:2018)
RoHS Directive	2011/65/EU (EN 50581:2012)

## Cable data - Structure of the cable

Cable diameter	4.7 mm
Cross section	4 x 0.34 mm <sup>2</sup>
Sheath material	PUR
Single-lead insulation	PP9Y halogen-free
Single-lead structure	42 x 0.10 mm
Cable color	black

## Cable data - Electrical properties

Conductor resistance	60 Ω/Km (20°C)
----------------------	----------------

## Cable data - Mechanical properties

Bending radius, fixed cable	≥ 5 x Ø
Bending radius, moving cable	≥ 10 x Ø
Bending cycles	> 2 million
Permitted acceleration	5 m/s <sup>2</sup> + 1 m/s <sup>2</sup>
Travel distance, horizontal	5 m/s <sup>2</sup> -> 5 m
Travel distance, vertical	5 m/s <sup>2</sup> -> 2 m
Travel speed	≤ 200 m/min (5 m horizontal distance)

## Cable data - Thermal properties

Temperature range cable in move from/to	-30 °C / 90 °C
Temperature range cable fixed from/to	-50 °C / 90 °C

## Cable data - Other features

Halogen free	yes
--------------	-----

Product description	<b>M8 Female angled connector, Contacts: 4, shielded, moulded on the cable, IP67, PUR, black, 4 x 0.34 mm<sup>2</sup>, 2 m</b>
-	-
Area	<b>M8 series 718</b>
Part no.	<b>77 3508 0000 50004-0200</b>

### General Disclaim Notice

The connectors have been developed for applications in plant engineering, control and electrical equipment construction. The user is responsible for checking whether the connectors can also be used in other areas of application.

Plug connectors with enclosure protection IP67 and IP68 are not suitable for use under water. When used outdoors, the plug connectors must be protected separately against corrosion. For further information on the IP protection classes, please refer to the "Technical Information" download centre.

To lock the cable connector with the device connector, the threaded ring is tightened "hand-tight" (approx. 50 cNm).