

Product data sheet

Automation technology - Solenoid valve connectors

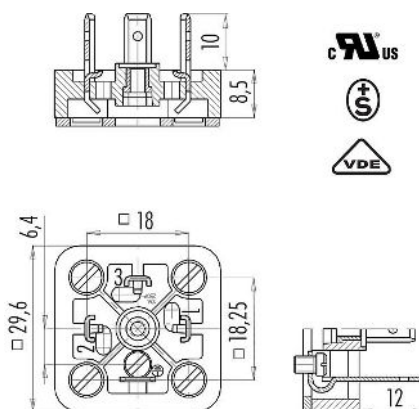


Product description **Male power connector, Contacts: 3+PE, unshielded, solder, IP40 without seal, UL, ESTI+, VDE**
 Area **Size A series 210**
 Part no. **43 1715 000 04**

Illustration



Scale drawing



Technical data

General features

| | |
|---------------------------|--|
| Part no. | 43 1715 000 04 |
| Connector design | Male power connector |
| Type standard | DIN EN 175301-803 |
| Version | Connector pin straight |
| Connector locking system | Central bolt |
| Termination | solder |
| Degree of protection | IP40 without seal IP65 with seal, see accessories |
| Cross-sectional area | 1.00 mm ² / AWG 17 |
| Temperature range from/to | -25 °C / 100 °C |
| Mechanical operation | > 50 Mating cycles |
| Weight (g) | 8.69 |
| Customs tariff number | 85369010 |
| Country of Origin | HU |

Electrical parameters

| | |
|---------------------------|----------------------|
| Rated voltage | 250 V |
| Rated impulse voltage | 4000 V |
| Rated current | 10.0 A |
| Insulation resistance | ≥ 10 ¹⁰ Ω |
| Pollution degree | 3 |
| Overvoltage category | III |
| Insulating material group | III |
| EMC compliance | unshielded |



Date: 30.08.2023

Product data sheet

Automation technology - Solenoid valve connectors



| | |
|---------------------|--|
| Product description | Male power connector, Contacts: 3+PE, unshielded, solder, IP40 without seal, UL, ESTI+, VDE |
| - | - |
| Area | Size A series 210 |
| Part no. | 43 1715 000 04 |

Material

| | |
|-----------------------|--------------------------------------|
| Contact body material | PA (UL94 HB) |
| Contact material | CuZn (brass) |
| Contact plating | Sn (tin) |
| REACH SVHC | CAS 7439-92-1 (Lead) |
| SCIP number | 13f879aa-45ed-4943-bcb4-8ab7fa65488f |

Authorization/approvals

| | |
|-----------|----------------|
| Approvals | UL, ESTI+, VDE |
|-----------|----------------|

Classifications

| | |
|-------------|-------------|
| eCl@ss 11.1 | 27-06-03-11 |
| ETIM 9.0 | EC002635 |

Declarations of conformity

| | |
|-----------------------|--|
| Low Voltage Directive | 2014/35/EU (EN 60204-1:2018;EN 60529:1991) |
|-----------------------|--|

| | |
|---------------------|--|
| Product description | Male power connector, Contacts: 3+PE, unshielded, solder, IP40 without seal, UL, ESTI+, VDE |
| - | - |
| Area | Size A series 210 |
| Part no. | 43 1715 000 04 |

General Disclaim Notice

The connector must not be plugged or unplugged under load. Non-observance and improper use can result in personal injury.

The connectors have been developed for applications in plant engineering, control and electrical equipment construction. The user is responsible for checking whether the connectors can also be used in other areas of application.

Connectors which are used in circuits with voltages dangerous to the touch may only be installed and used by, or under the supervision of, persons with electrical engineering training, taking into account the applicable regulations and standards.

Plug connectors with enclosure protection IP67 and IP68 are not suitable for use under water. When used outdoors, the plug connectors must be protected separately against corrosion. For further information on the IP protection classes, please refer to the "Technical Information" download centre.

The user must take appropriate safety precautions to ensure that the connector cannot be accidentally disconnected. In addition, the user must ensure that the cable is suitably secured.