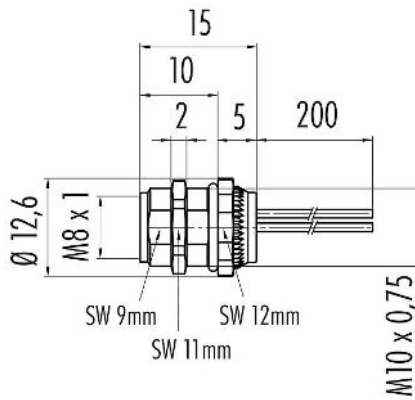


Product description	M8 Female panel mount connector, Contacts: 4, unshielded, single wires, IP67, M10x0.75, front fastened
Area	M8 series 718
Part no.	09 3420 86 04

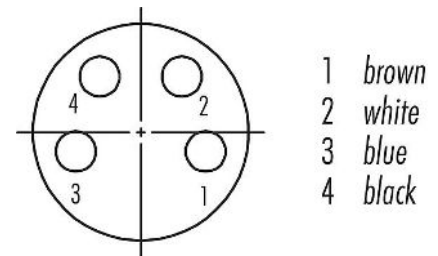
Illustration



Scale drawing



Contact arrangement (Plug-in side)



You can find the assembly instructions on the next page.

Technical data

General features

Part no.	09 3420 86 04
Connector design	Female panel mount connector
Type standard	DIN EN 61076-2-104
Wire length	0.2 m
Version	Connector socket straight
Connector locking system	screw
Termination	single wires
Degree of protection	IP67
Cross-sectional area	0.25 mm ² / AWG 24
Temperature range from/to	-40 °C / 85 °C
Mechanical operation	> 100 Mating cycles
Weight (g)	7.566
Customs tariff number	85369010

Electrical parameters

Rated voltage	60 V
Rated impulse voltage	1500 V
Rated current	4.0 A
Pollution degree	3
Overvoltage category	II
Insulating material group	II
EMC compliance	unshielded

Product description	M8 Female panel mount connector, Contacts: 4, unshielded, single wires, IP67, M10x0.75, front fastened
Area	M8 series 718
Part no.	09 3420 86 04

Material

Housing material	Zinc die-cast nickel-plated
Contact body material	PA black
Contact material	CuSn (bronze)
Contact plating	Au (gold)
REACH SVHC	CAS 7439-92-1 (Lead)
SCIP number	e6f2b2db-b9b6-4332-9428-0c42dbdd4da5

Classifications

eCl@ss 11.1	27-44-01-03
ETIM 9.0	EC003569

Assembly instructions / Panel cut-out

1st Installation proposal

With flats as anti-rotation device

2nd Installation proposal

With bore hole

3rd Installation proposal

With thread to screw in

thread E	A	B	C	D
M8 x 1	8,1	2,0	3,5	7,1
M10 x 0,75	10,1	2,0	6,5	9,1
M12 x 1	12,1	2,5	4,5	10,0

Tightening torque 1 Nm

Product description	M8 Female panel mount connector, Contacts: 4, unshielded, single wires, IP67, M10x0.75, front fastened
-	-
Area	M8 series 718
Part no.	09 3420 86 04

General Disclaim Notice

The connectors have been developed for applications in plant engineering, control and electrical equipment construction. The user is responsible for checking whether the connectors can also be used in other areas of application.

Plug connectors with enclosure protection IP67 and IP68 are not suitable for use under water. When used outdoors, the plug connectors must be protected separately against corrosion. For further information on the IP protection classes, please refer to the "Technical Information" download centre.