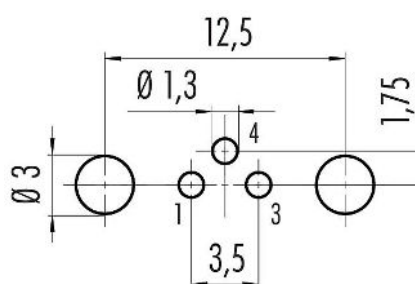


Product description	<b>M8 Male panel mount connector, Contacts: 3, shieldable, THT, IP67, front fastened</b>
Area	<b>M8 series 718</b>
Part no.	<b>09 3419 81 03</b>

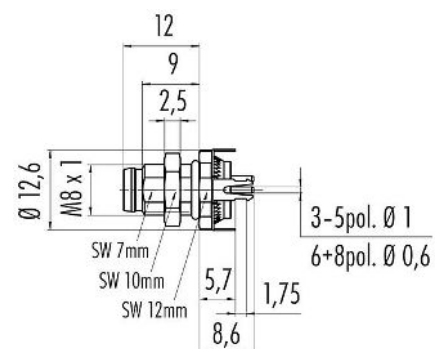
### Illustration



### Conductor layout

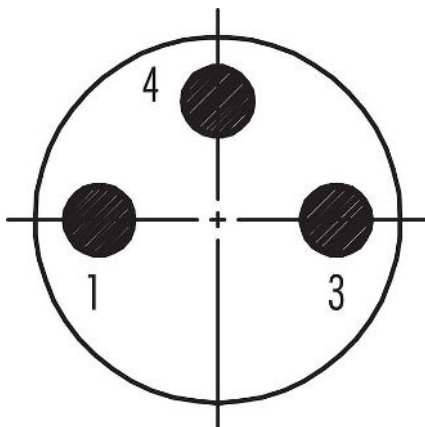


### Scale drawing



Leiterplattendicke: 1,6 mm  
Thickness of PCB: 1,6 mm

### Contact arrangement (Plug-in side)



You can find the assembly instructions on the next page.

### Technical data

#### General features

Part no.	<b>09 3419 81 03</b>
Connector design	Male panel mount connector
Type standard	DIN EN 61076-2-104
Version	Connector pin straight

Product description	<b>M8 Male panel mount connector, Contacts: 3, shieldable, THT, IP67, front fastened</b>
Area	<b>M8 series 718</b>
Part no.	<b>09 3419 81 03</b>

Connector locking system	screw/snap-in
Termination	THT
Degree of protection	IP67
Temperature range from/to	-40 °C / 85 °C
Mechanical operation	> 100 Mating cycles
Weight (g)	4.691
Customs tariff number	85369010

### Electrical parameters

Rated voltage	60 V
Rated impulse voltage	1500 V
Rated current	4.0 A
Pollution degree	3
Overvoltage category	II
Insulating material group	II
EMC compliance	shieldable
Shield connection	Shielding plate

### Material

Housing material	Zinc die-cast nickel-plated
Contact body material	PA black
Contact material	CuZn (brass)
Contact plating	Au (gold)
REACH SVHC	CAS 7439-92-1 (Lead)
SCIP number	bba34c45-ff98-4947-a5a6-a0c21e13b069

### Classifications

eCl@ss 11.1	27-44-01-09
ETIM 9.0	EC003569

### Assembly instructions / Panel cut-out

*1<sup>st</sup> Installation proposal*

*With flats as anti-rotation device*

*2<sup>nd</sup> Installation proposal*

*With bore hole*

*3<sup>rd</sup> Installation proposal*

*With thread to screw in*

thread E	A	B	C	D
M8 x 1	8,1	2,0	3,5	7,1
M10 x 0,75	10,1	2,0	6,5	9,1
M12 x 1	12,1	2,5	4,5	10,0

Tightening torque 1 Nm

Product description	<b>M8 Male panel mount connector, Contacts: 3, shieldable, THT, IP67, front fastened</b>
-	-
Area	<b>M8 series 718</b>
Part no.	<b>09 3419 81 03</b>

### **General Disclaim Notice**

The connectors have been developed for applications in plant engineering, control and electrical equipment construction. The user is responsible for checking whether the connectors can also be used in other areas of application.

Plug connectors with enclosure protection IP67 and IP68 are not suitable for use under water. When used outdoors, the plug connectors must be protected separately against corrosion. For further information on the IP protection classes, please refer to the "Technical Information" download centre.