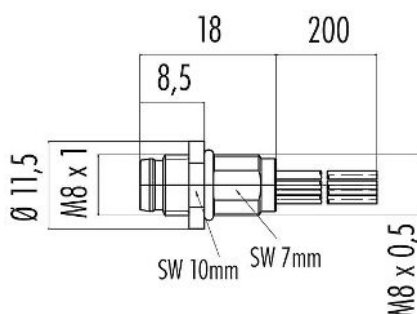


Product description	M8 Male panel mount connector, Contacts: 3, unshielded, single wires, IP67/IP69K, M8x0.5
Area	M8 series 718
Part no.	09 3403 00 03

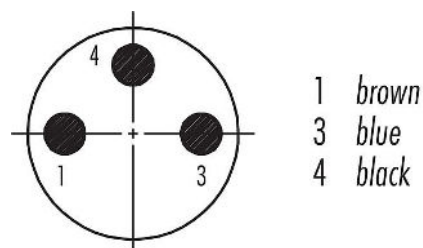
Illustration



Scale drawing



Contact arrangement (Plug-in side)



You can find the assembly instructions on the next page.

Technical data

General features

Part no.	09 3403 00 03
Connector design	Male panel mount connector
Type standard	DIN EN 61076-2-104
Wire length	0.2 m
Version	Connector pin straight
Connector locking system	snap-in, screw
Termination	single wires
Degree of protection	IP67/IP69K
Cross-sectional area	0.25 mm ² / AWG 24
Temperature range from/to	-40 °C / 85 °C
Mechanical operation	> 100 Mating cycles
Weight (g)	5.04
Customs tariff number	85369010

Electrical parameters

Rated voltage	60 V
Rated impulse voltage	1500 V
Rated current	4.0 A
Pollution degree	3
Overvoltage category	II
Insulating material group	II
EMC compliance	unshielded

Material

Housing material	CuZn (Brass nickel plated)
Contact body material	PA black

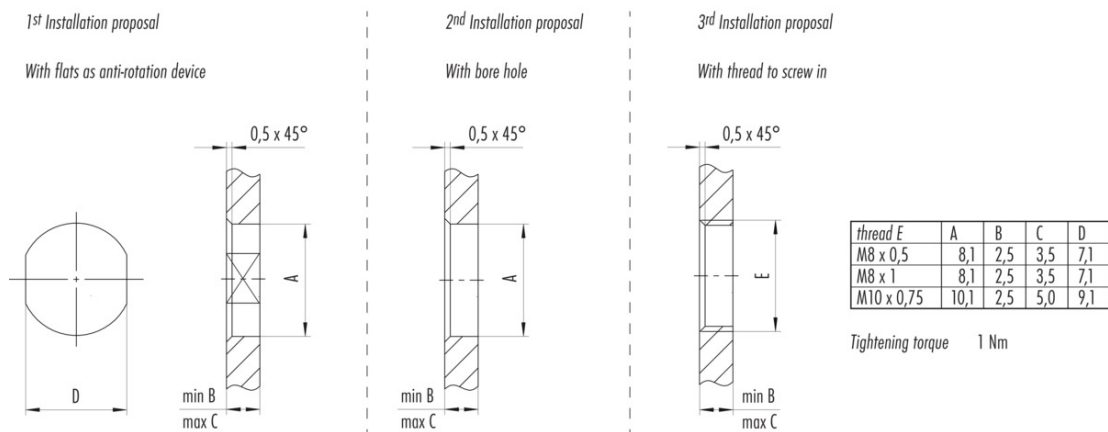
Product description **M8 Male panel mount connector, Contacts: 3, unshielded, single wires, IP67/IP69K, M8x0.5**
 Area **M8 series 718**
 Part no. **09 3403 00 03**

Contact material **CuZn (brass)**
 Contact plating **Au (gold)**
 REACH SVHC **CAS 7439-92-1 (Lead)**
 SCIP number **92a0ecac-86cc-452c-81e0-5924dab5af4f**

Classifications

eCl@ss 11.1 **27-44-01-03**
 ETIM 9.0 **EC003569**

Assembly instructions / Panel cut-out



Product description	M8 Male panel mount connector, Contacts: 3, unshielded, single wires, IP67/IP69K, M8x0.5
-	-
Area	M8 series 718
Part no.	09 3403 00 03

General Disclaim Notice

The connectors have been developed for applications in plant engineering, control and electrical equipment construction. The user is responsible for checking whether the connectors can also be used in other areas of application.

Plug connectors with enclosure protection IP67 and IP68 are not suitable for use under water. When used outdoors, the plug connectors must be protected separately against corrosion. For further information on the IP protection classes, please refer to the "Technical Information" download centre.