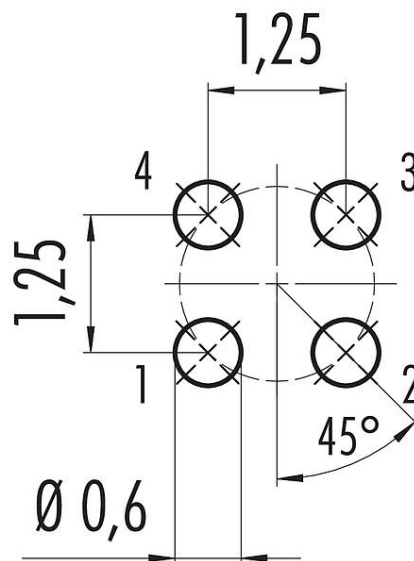


Product description	M5 Male panel mount connector, Contacts: 4, unshielded, THT, IP67
Area	M5 series 707
Part no.	09 3111 81 04

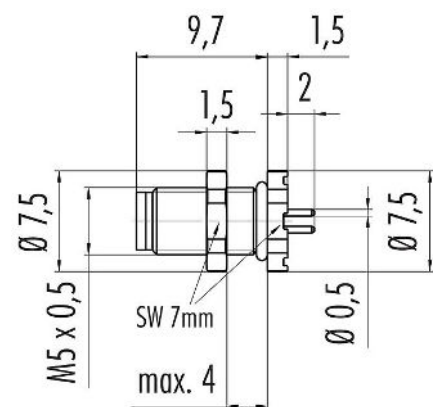
Illustration



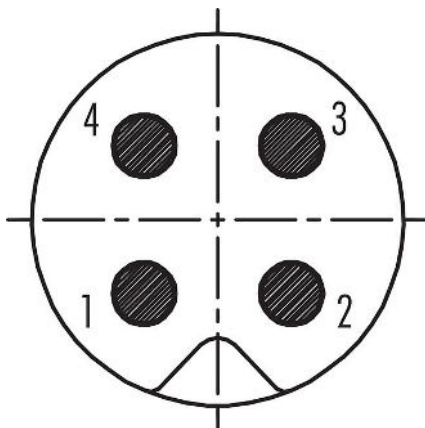
Conductor layout



Scale drawing



Contact arrangement (Plug-in side)



You can find the assembly instructions on the next page.

Technical data

Product description	M5 Male panel mount connector, Contacts: 4, unshielded, THT, IP67
-	-
Area	M5 series 707
Part no.	09 3111 81 04

General features

Part no.	09 3111 81 04
Connector design	Male panel mount connector
Type standard	DIN EN 61076-2-105
Version	Connector pin straight
Connector locking system	screw
Termination	THT
Degree of protection	IP67
Temperature range from/to	-25 °C / 80 °C
Mechanical operation	> 100 Mating cycles
Weight (g)	1.18
Customs tariff number	85369010

Electrical parameters

Rated voltage	60 V
Rated impulse voltage	800 V
Rated current	1.0 A
Insulation resistance	> 10 ⁹ Ω
Pollution degree	3
Overvoltage category	II
Insulating material group	I
EMC compliance	unshielded

Material

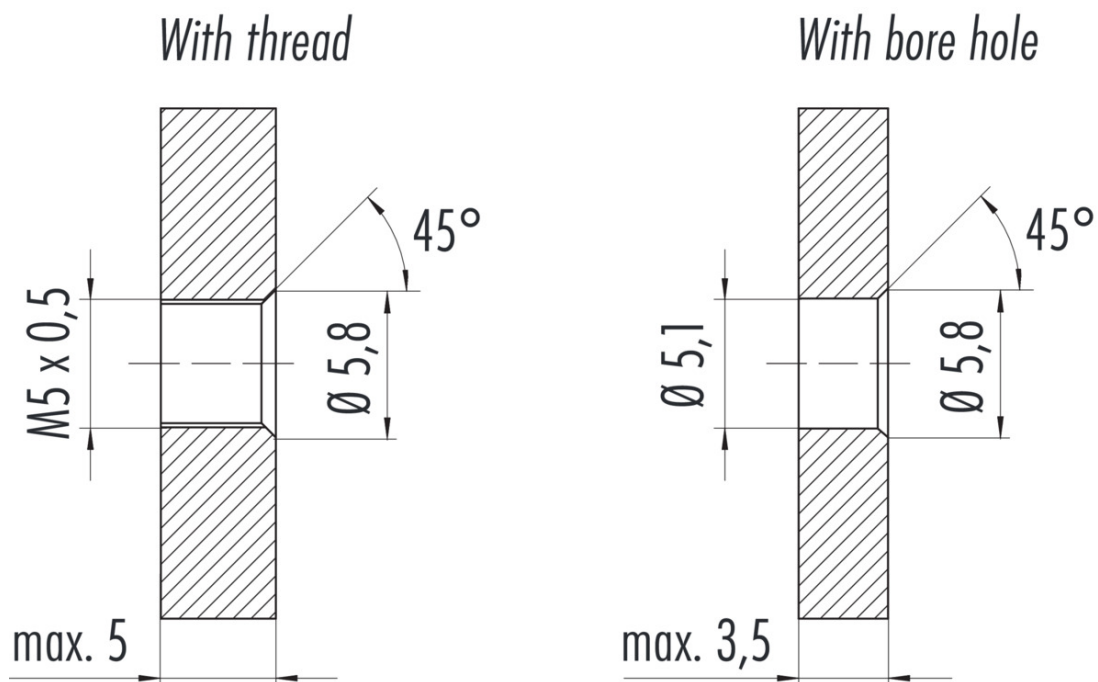
Contact body material	PA
Contact material	CuZn (brass)
Contact plating	Au (gold)
REACH SVHC	CAS 7439-92-1 (Lead)
SCIP number	831b6081-a573-43b4-986c-92440386a8f1

Classifications

eCl@ss 11.1	27-44-01-09
ETIM 9.0	EC003569

Product description	M5 Male panel mount connector, Contacts: 4, unshielded, THT, IP67
Area	M5 series 707
Part no.	09 3111 81 04

Assembly instructions / Panel cut-out



Product description	M5 Male panel mount connector, Contacts: 4, unshielded, THT, IP67
-	-
Area	M5 series 707
Part no.	09 3111 81 04

General Disclaim Notice

The connectors have been developed for applications in plant engineering, control and electrical equipment construction. The user is responsible for checking whether the connectors can also be used in other areas of application.

Plug connectors with enclosure protection IP67 and IP68 are not suitable for use under water. When used outdoors, the plug connectors must be protected separately against corrosion. For further information on the IP protection classes, please refer to the "Technical Information" download centre.