

# Product data sheet

## Miniature connectors

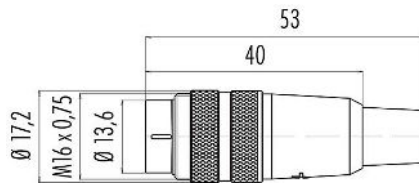


Product description	<b>M16 Male cable connector, Contacts: 8 (08-a), 6.0-8.0 mm, unshielded, solder, IP40</b>
Area	<b>M16 IP40 series 680</b>
Part no.	<b>09 0571 02 08</b>

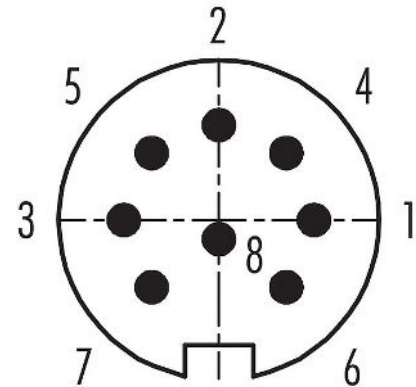
### Illustration



### Scale drawing



### Contact arrangement (Plug-in side)



You can find the assembly instructions on the next page.

## Technical data

### General features

Part no.	<b>09 0571 02 08</b>
Connector design	Male cable connector
Type standard	DIN EN 61076-2-106
Version	Connector pin straight
Connector locking system	screw
Termination	solder
Degree of protection	IP40
Cross-sectional area	0.75 mm <sup>2</sup> / AWG 18
Cable outlet	6.0-8.0 mm
Temperature range from/to	-40 °C / 85 °C
Mechanical operation	> 500 Mating cycles
Weight (g)	18.90
Customs tariff number	85369010
Country of Origin	DE

### Electrical parameters

Rated voltage	60 V
Rated impulse voltage	500 V
Rated current	5.0 A
Insulation resistance	≥ 10 <sup>10</sup> Ω
Pollution degree	1
Overvoltage category	I
Insulating material group	III
EMC compliance	unshielded

# Product data sheet

## Miniature connectors



Product description	<b>M16 Male cable connector, Contacts: 8 (08-a), 6.0-8.0 mm, unshielded, solder, IP40</b>
-	-
Area	<b>M16 IP40 series 680</b>
Part no.	<b>09 0571 02 08</b>

### Material

Housing material	PA
Contact body material	PBT (UL94 V-0)
Contact material	CuZn (brass)
Contact plating	Ag (silver)
REACH SVHC	CAS 7439-92-1 (Lead)
SCIP number	dff821de-6e40-4482-b833-98d02acfa07c

### Classifications

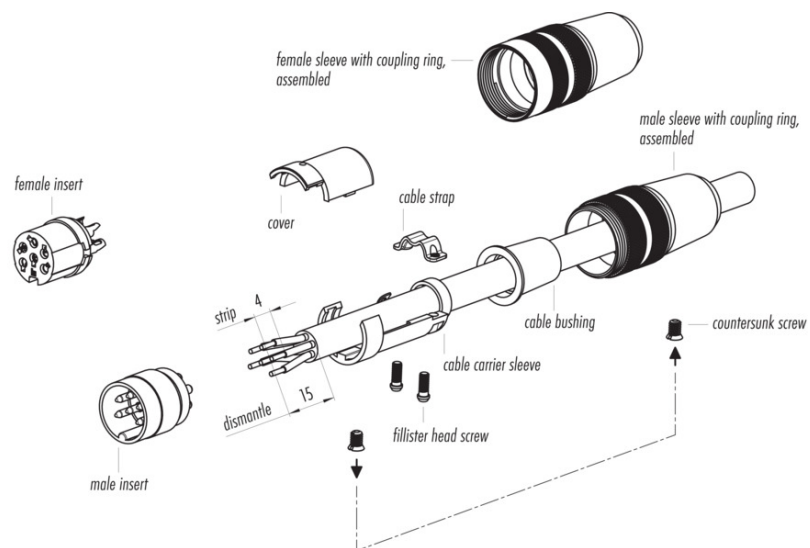
eCl@ss 11.1	27-44-01-09
ETIM 9.0	EC003569

### Declarations of conformity

Low Voltage Directive	2014/35/EU (EN 60204-1:2018;EN 60529:1991)
-----------------------	--

### Assembly instructions

1. Bead cable carrier sleeve, cable bushing and sleeve with coupling ring to cable.
2. Dismantle cable to 15 mm length.
3. Strip and solder single wires.
4. If necessary, twist shield and solder to solder eye.
5. Place the cover on the cable carrier sleeve and fasten the cable strap with fillister head screws.
6. Push assembled part with contact insert into the sleeve and fasten with countersunk screw.



# Product data sheet

## Miniature connectors



Product description	<b>M16 Male cable connector, Contacts: 8 (08-a), 6.0-8.0 mm, unshielded, solder, IP40</b>
-	-
Area	<b>M16 IP40 series 680</b>
Part no.	<b>09 0571 02 08</b>

### General Disclaim Notice

The connectors have been developed for applications in plant engineering, control and electrical equipment construction. The user is responsible for checking whether the connectors can also be used in other areas of application.

To lock the cable connector with the device connector, the threaded ring is tightened "hand-tight" (approx. 50 cNm).