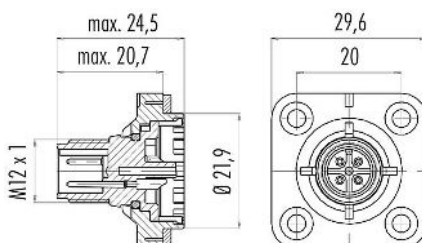


Product description	M12 Square male panel mount connector, Contacts: 4, unshielded, solder, IP40, Square
Area	M12-A series 763
Part no.	09 0431 16 04

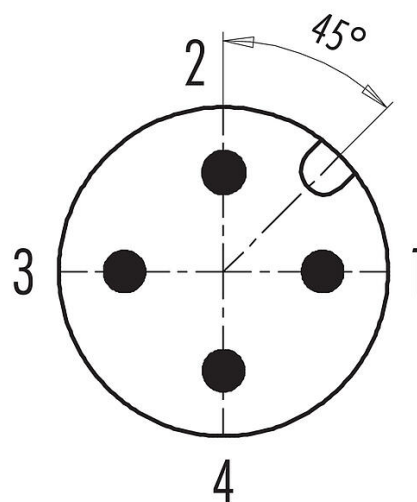
Illustration



Scale drawing



Contact arrangement (Plug-in side)



You can find the assembly instructions on the next page.

Technical data

General features

Part no.	09 0431 16 04
Connector design	Square male panel mount connector
Type standard	DIN EN 61076-2-101
Version	Connector pin straight
Connector locking system	screw
Termination	solder
Degree of protection	IP40 IP67 with seal, see accessories
Cross-sectional area	0.25 mm ² / AWG 24
Temperature range from/to	-40 °C / 85 °C
Mechanical operation	> 50 Mating cycles
Weight (g)	6.91
Customs tariff number	85369010
Country of Origin	DE

Electrical parameters

Rated voltage	250 V
Rated impulse voltage	2500 V
Rated current	4.0 A
Insulation resistance	> 10 ¹⁰ Ω
Pollution degree	3

Product description	M12 Square male panel mount connector, Contacts: 4, unshielded, solder, IP40, Square
Area	M12-A series 763
Part no.	09 0431 16 04

Overvoltage category	II
Insulating material group	III
EMC compliance	unshielded

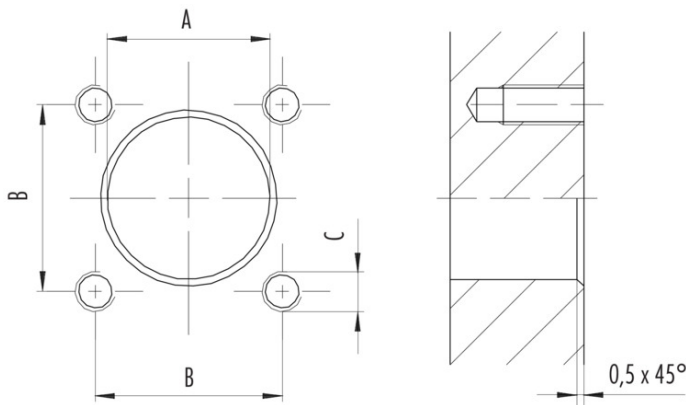
Material

Housing material	PBT
Contact body material	PA
Contact material	CuZn (brass)
Contact plating	CuSnZn (Optalloy)
Locking material	PA
REACH SVHC	CAS 7439-92-1 (Lead)
SCIP number	2a9a5f06-553b-4495-8b1c-48d4b610fb75

Classifications

eCl@ss 11.1	27-44-01-09
ETIM 9.0	EC003569

Assembly instructions / Panel cut-out



Housing	A (mm)	B (mm)	C (mm)
Metal	12,2	14,0	M3 (4x)
Plastic	22,0	20,0	M3 (4x)

Requirements for Degree of protection IP67:

1. Metal housing:
Use of sealing, Ordering-No. 16 0959 000
2. Plastic housing:
Use of sealing, Ordering-No. 16 8091 000
3. M3 thread (4x) sealed as a threaded blind holes or screw heads

Product description	M12 Square male panel mount connector, Contacts: 4, unshielded, solder, IP40, Square
-	-
Area	M12-A series 763
Part no.	09 0431 16 04

General Disclaim Notice

The connector must not be plugged or unplugged under load. Non-observance and improper use can result in personal injury.

The connectors have been developed for applications in plant engineering, control and electrical equipment construction. The user is responsible for checking whether the connectors can also be used in other areas of application.

The user must take suitable safety precautions to ensure that the connector cannot be accidentally disconnected.

Plug connectors with enclosure protection IP67 and IP68 are not suitable for use under water. For further information on the IP protection classes, please refer to the "Technical Information" download centre.