

# Product data sheet

## Subminiature connectors

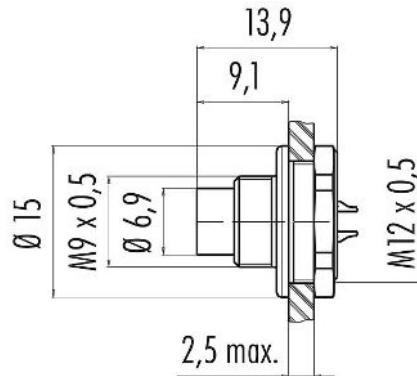


Product description	M9 Male panel mount connector, Contacts: 4, unshielded, solder, IP67
Area	M9 IP67 series 712
Part no.	09 0411 00 04

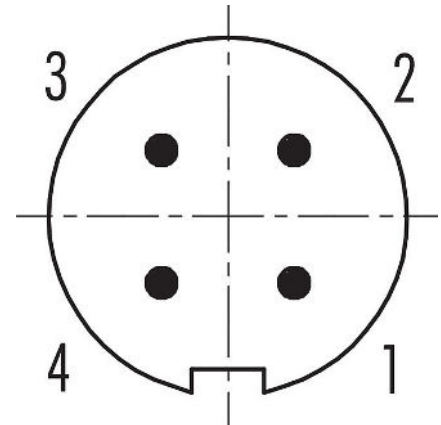
### Illustration



### Scale drawing



### Contact arrangement (Plug-in side)



You can find the component part drawing and assembly instructions on the next page.

### Technical data

#### General features

Part no.	<b>09 0411 00 04</b>
Connector design	Male panel mount connector
Version	Connector pin straight
Connector locking system	screw
Termination	solder
Degree of protection	IP67
Cross-sectional area	0.25 mm <sup>2</sup> / AWG 24
Temperature range from/to	-40 °C / 85 °C
Mechanical operation	> 500 Mating cycles
Weight (g)	5.32
Customs tariff number	85369010
Country of Origin	DE

#### Electrical parameters

Rated voltage	125 V
Rated impulse voltage	1500 V
Rated current	3,0 A
Insulation resistance	≥ 10 <sup>10</sup> Ω
Pollution degree	1
Overtoltage category	II
Insulating material group	III
EMC compliance	unshielded

#### Material

Housing material	CuZn (Brass nickel plated)
------------------	----------------------------

# Product data sheet

## Subminiature connectors



Product description	<b>M9 Male panel mount connector, Contacts: 4, unshielded, solder, IP67</b>
-	-
Area	<b>M9 IP67 series 712</b>
Part no.	<b>09 0411 00 04</b>

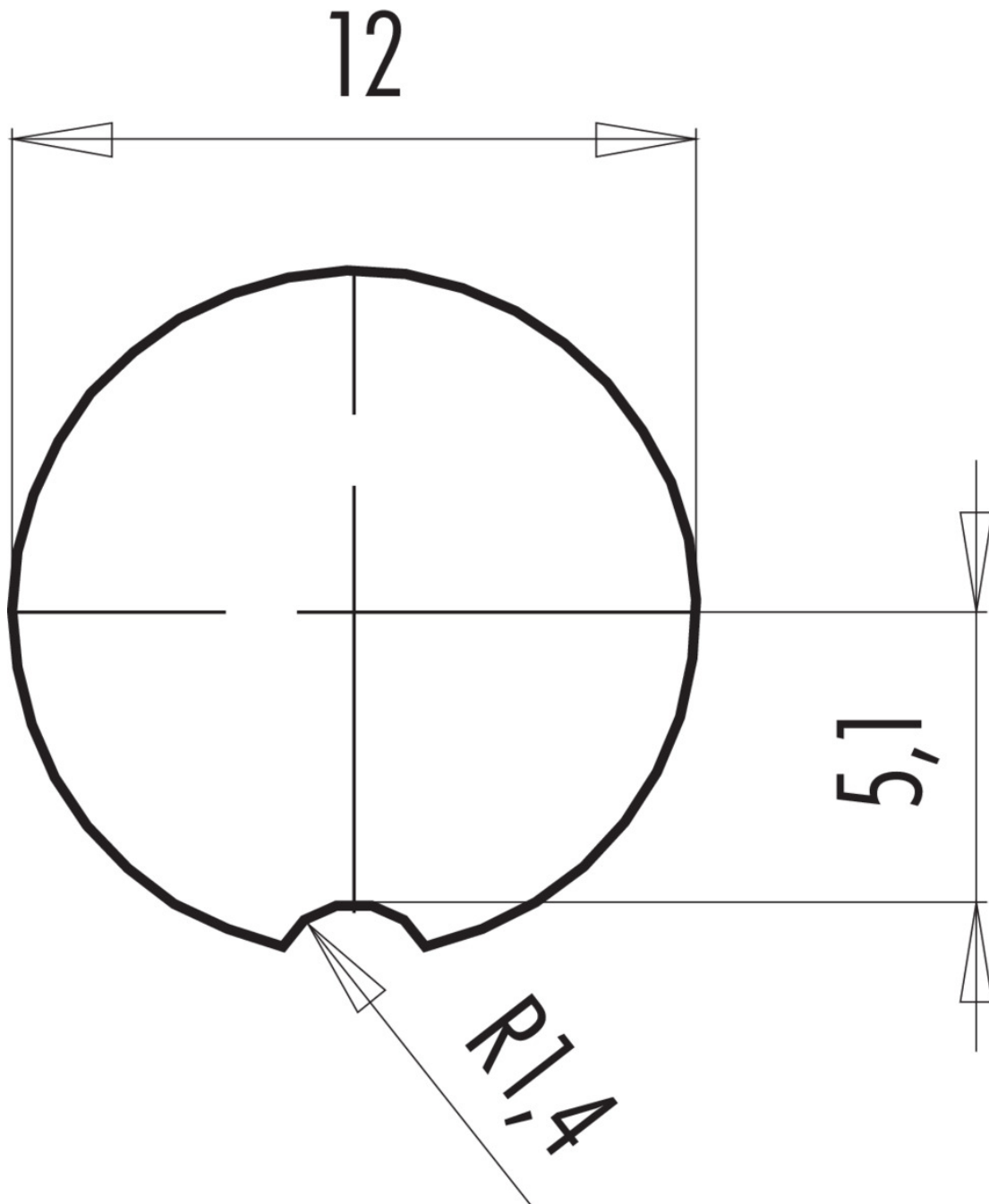
Contact body material	PA (UL94 V-0)
Contact material	CuZn (brass)
Contact plating	Au (gold)
REACH SVHC	CAS 7439-92-1 (Lead)
SCIP number	9e19bcf2-c6b9-44e0-9236-04b758743f8d

### Classifications

eCl@ss 11.1	27-44-01-09
ETIM 9.0	EC003569

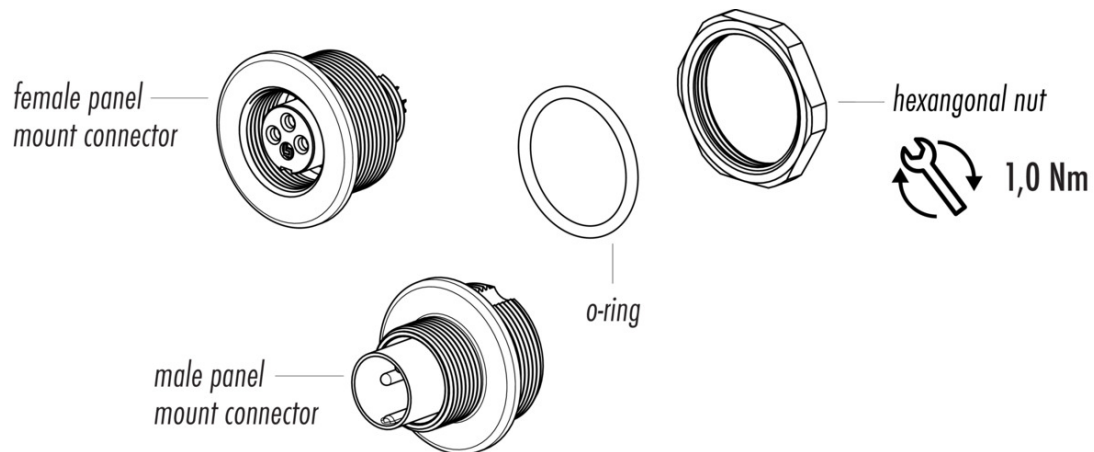
Product description	M9 Male panel mount connector, Contacts: 4, unshielded, solder, IP67
Area	M9 IP67 series 712
Part no.	09 0411 00 04

Assembly instructions / Panel cut-out



Product description	<b>M9 Male panel mount connector, Contacts: 4, unshielded, solder, IP67</b>
-	-
Area	<b>M9 IP67 series 712</b>
Part no.	<b>09 0411 00 04</b>

### Component part drawing



## Product data sheet

### Subminiature connectors



Product description	<b>M9 Male panel mount connector, Contacts: 4, unshielded, solder, IP67</b>
-	-
Area	<b>M9 IP67 series 712</b>
Part no.	<b>09 0411 00 04</b>

#### General Disclaim Notice

The connector must not be plugged or unplugged under load. Non-observance and improper use can result in personal injury.

The connectors have been developed for applications in plant engineering, control and electrical equipment construction. The user is responsible for checking whether the connectors can also be used in other areas of application.

Plug connectors with enclosure protection IP67 and IP68 are not suitable for use under water. When used outdoors, the plug connectors must be protected separately against corrosion. For further information on the IP protection classes, please refer to the "Technical Information" download centre.