

Product data sheet

Miniature connectors

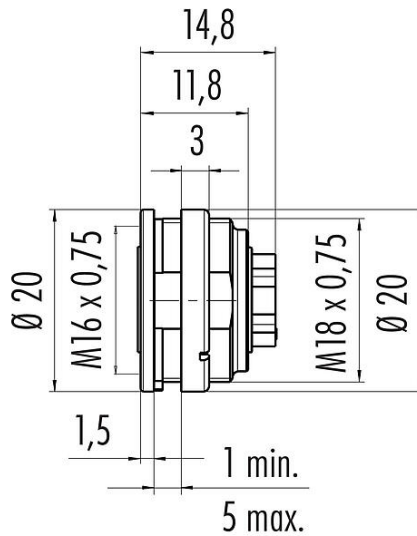


Product description	M16 Female panel mount connector, Contacts: 7 (07-a), unshielded, crimping (Crimp contacts must be ordered separately), IP40
Area	M16 IP40 series 680
Part no.	09 0328 700 07

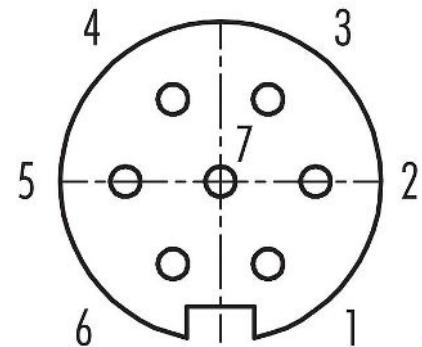
Illustration



Scale drawing



Contact arrangement (Plug-in side)



You can find the component part drawing and assembly instructions on the next page.

Technical data

General features

Part no.	09 0328 700 07
Connector design	Female panel mount connector
Type standard	DIN EN 61076-2-106
Version	Connector socket straight
Connector locking system	screw
Termination	crimping (Crimp contacts must be ordered separately)
Degree of protection	IP40
Cross-sectional area	click here for more info
Temperature range from/to	-40 °C / 85 °C
Mechanical operation	> 500 Mating cycles
Weight (g)	8.36
Customs tariff number	85369010
Country of Origin	DE

Electrical parameters

Rated voltage	125 V
Rated impulse voltage	800 V
Rated current	5.0 A
Insulation resistance	≥ 10 ¹⁰ Ω
Pollution degree	1
Overvoltage category	I
Insulating material group	III

Product data sheet

Miniature connectors



Product description	M16 Female panel mount connector, Contacts: 7 (07-a), unshielded, crimping (Crimp contacts must be ordered separately), IP40
-	-
Area	M16 IP40 series 680
Part no.	09 0328 700 07

EMC compliance unshielded

Material

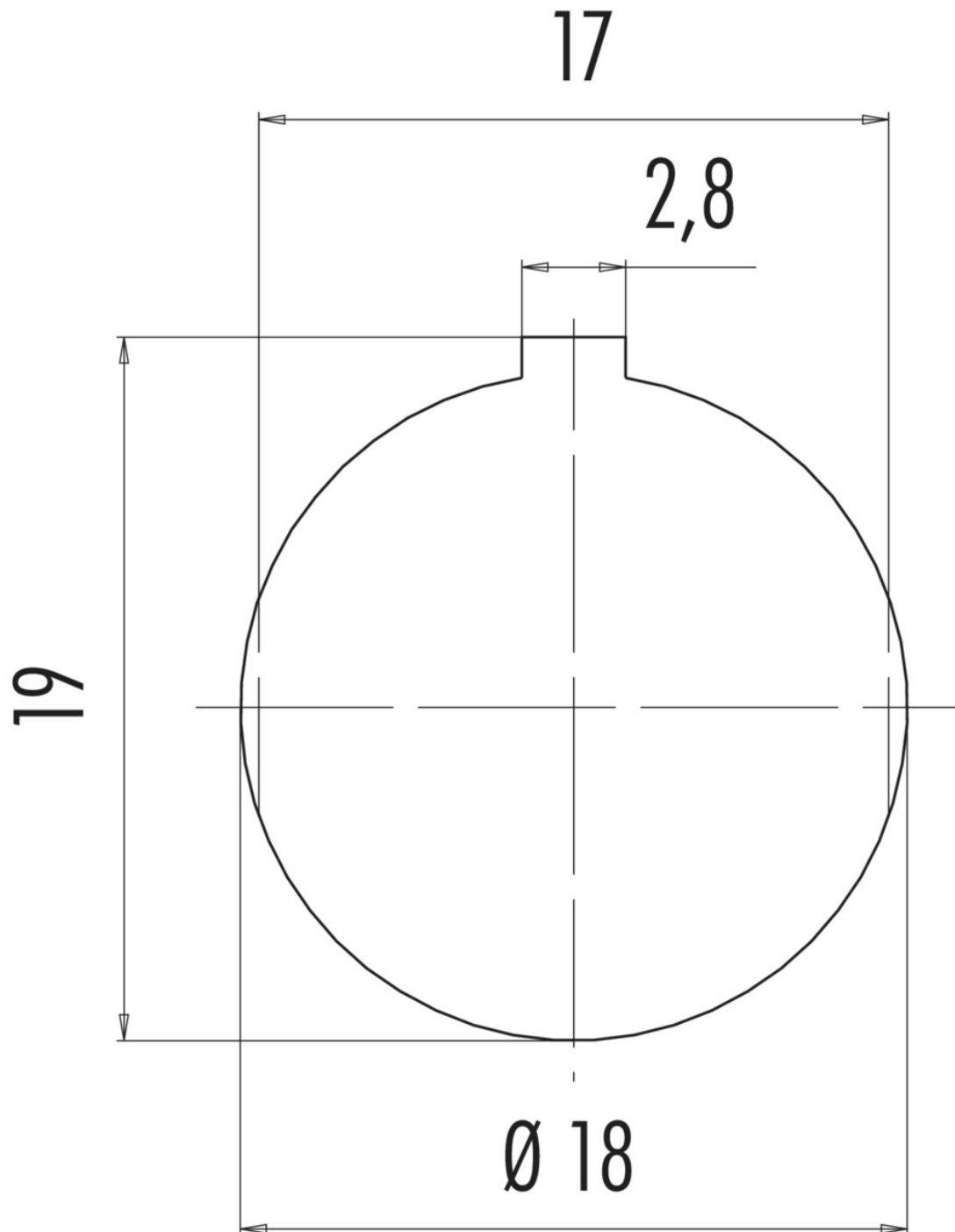
Contact body material	PBT (UL94 V-0)
Contact material	depending on crimp contact (accessory)
REACH SVHC	CAS 7439-92-1 (Lead)
SCIP number	fe335176-e452-4cbb-a337-f8671a916963

Classifications

eCl@ss 11.1	27-44-01-09
ETIM 9.0	EC003569

Product description	M16 Female panel mount connector, Contacts: 7 (07-a), unshielded, crimping (Crimp contacts must be ordered separately), IP40
-	-
Area	M16 IP40 series 680
Part no.	09 0328 700 07

Assembly instructions / Panel cut-out



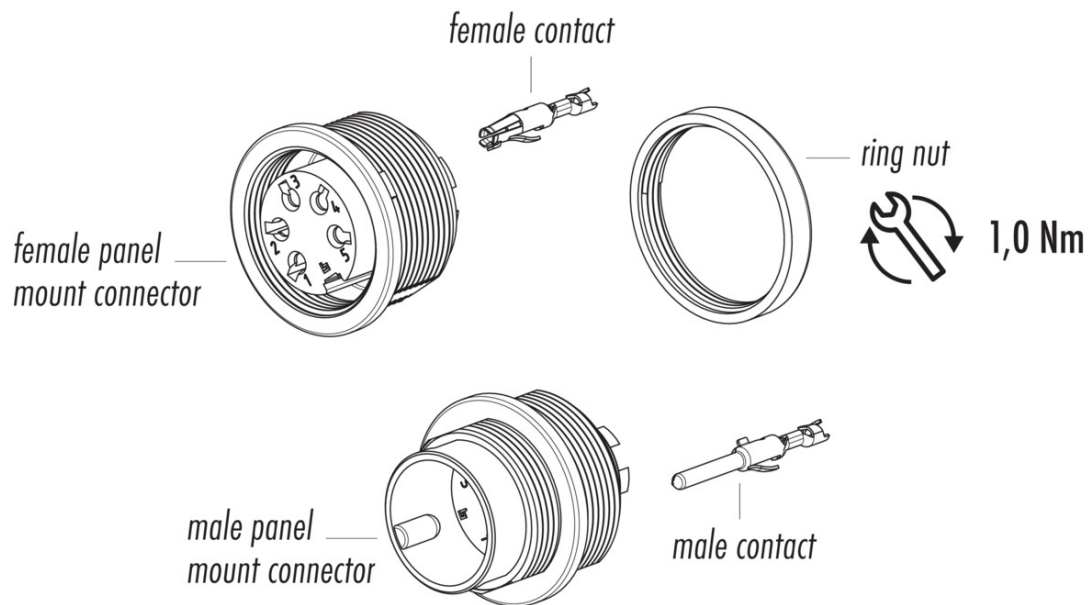
Product data sheet

Miniature connectors



Product description	M16 Female panel mount connector, Contacts: 7 (07-a), unshielded, crimping (Crimp contacts must be ordered separately), IP40
-	-
Area	M16 IP40 series 680
Part no.	09 0328 700 07

Component part drawing



Product description	M16 Female panel mount connector, Contacts: 7 (07-a), unshielded, crimping (Crimp contacts must be ordered separately), IP40
-	-
Area	M16 IP40 series 680
Part no.	09 0328 700 07

General Disclaim Notice

The connector must not be plugged or unplugged under load. Non-observance and improper use can result in personal injury.

The connectors have been developed for applications in plant engineering, control and electrical equipment construction. The user is responsible for checking whether the connectors can also be used in other areas of application.

To protect against unintentional opening of the connector, the thread between the housing and the connector head must be secured with a suitable cyanoacrylate adhesive when used in circuits with voltages dangerous to the touch. This does not apply to connectors used in SELV and PELV circuits according to IEC 61140 (EN 61140, VDE 0140-1).