

Product data sheet

Miniature connectors

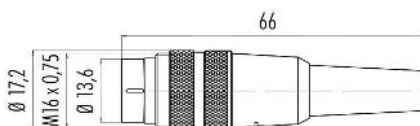


| | |
|---------------------|---|
| Product description | M16 Male cable connector, Contacts: 7 (07-a), 3.0-6.0 mm, unshielded, solder, IP40 |
| Area | M16 IP40 series 680 |
| Part no. | 09 0325 00 07 |

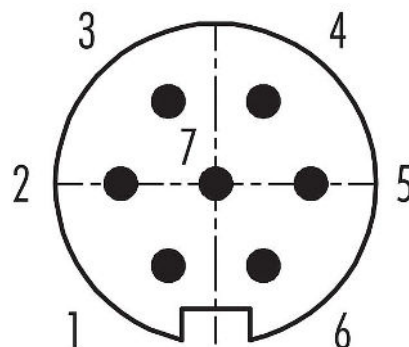
Illustration



Scale drawing



Contact arrangement (Plug-in side)



You can find the assembly instructions on the next page.

Technical data

General features

| | |
|---------------------------|-------------------------------|
| Part no. | 09 0325 00 07 |
| Connector design | Male cable connector |
| Type standard | DIN EN 61076-2-106 |
| Version | Connector pin straight |
| Connector locking system | screw |
| Termination | solder |
| Degree of protection | IP40 |
| Cross-sectional area | 0.75 mm ² / AWG 18 |
| Cable outlet | 3.0-6.0 mm |
| Temperature range from/to | -40 °C / 85 °C |
| Mechanical operation | > 1000 Mating cycles |
| Weight (g) | 19.20 |
| Customs tariff number | 85369010 |
| Country of Origin | DE |

Electrical parameters

| | |
|---------------------------|----------------------|
| Rated voltage | 125 V |
| Rated impulse voltage | 800 V |
| Rated current | 5.0 A |
| Insulation resistance | ≥ 10 ¹⁰ Ω |
| Pollution degree | 1 |
| Overvoltage category | I |
| Insulating material group | III |
| EMC compliance | unshielded |

Material

| | |
|------------------|----|
| Housing material | PA |
|------------------|----|

Product data sheet

Miniature connectors



| | |
|---------------------|---|
| Product description | M16 Male cable connector, Contacts: 7 (07-a), 3.0-6.0 mm, unshielded, solder, IP40 |
| - | - |
| Area | M16 IP40 series 680 |
| Part no. | 09 0325 00 07 |

| | |
|-----------------------|--------------------------------------|
| Contact body material | PBT (UL94 V-0) |
| Contact material | CuZn (brass) |
| Contact plating | Ag (silver) |
| REACH SVHC | CAS 7439-92-1 (Lead) |
| SCIP number | bd41a12e-af1d-451a-b64b-6b4bc442e0c9 |

Classifications

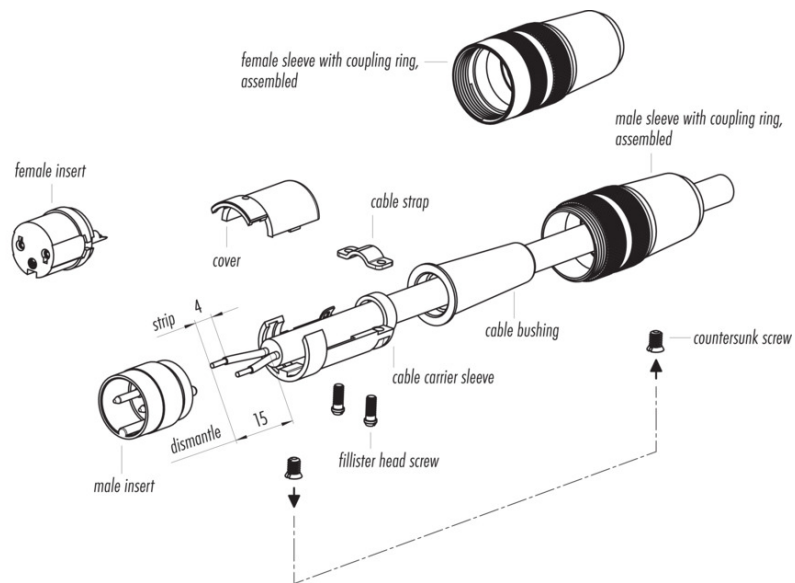
| | |
|-------------|-------------|
| eCl@ss 11.1 | 27-44-01-09 |
| ETIM 9.0 | EC003569 |

Declarations of conformity

| | |
|-----------------------|--|
| Low Voltage Directive | 2014/35/EU (EN 60204-1:2018;EN 60529:1991) |
|-----------------------|--|

Assembly instructions

1. Bead cable carrier sleeve, cable bushing and sleeve with coupling ring to cable.
2. Dismantle cable to 15 mm length.
3. Strip and solder single wires.
4. If necessary, twist shield and solder to solder eye.
5. Place the cover on the cable carrier sleeve and fasten the cable strap with fillister head screws.
6. Push assembled part with contact insert into the sleeve and fasten with countersunk screw.



Product data sheet

Miniature connectors



| | |
|---------------------|---|
| Product description | M16 Male cable connector, Contacts: 7 (07-a), 3.0-6.0 mm, unshielded, solder, IP40 |
| - | - |
| Area | M16 IP40 series 680 |
| Part no. | 09 0325 00 07 |

General Disclaim Notice

The connector must not be plugged or unplugged under load. Non-observance and improper use can result in personal injury.

The connectors have been developed for applications in plant engineering, control and electrical equipment construction. The user is responsible for checking whether the connectors can also be used in other areas of application.

Connectors which are used in circuits with voltages dangerous to the touch may only be installed and used by, or under the supervision of, persons with electrical engineering training, taking into account the applicable regulations and standards.

To lock the cable connector with the device connector, the threaded ring is tightened "hand-tight" (approx. 50 cNm).