

# Product data sheet

## Miniature connectors

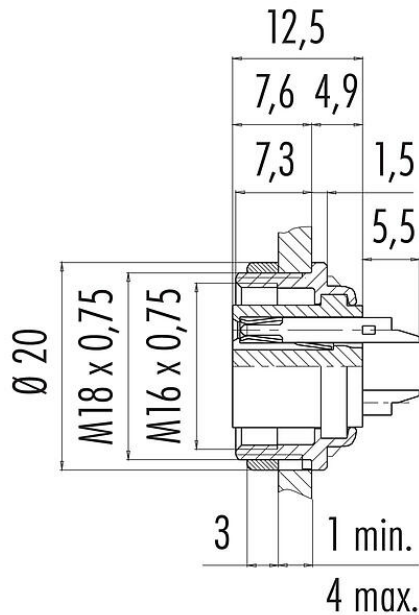


|                     |  |
|---------------------|--|
| Product description | M16 Female panel mount connector, Contacts: 3 (03-a), unshielded, solder, IP40, front fastened |
| Area                | M16 IP40 series 680  |
| Part no.            | 09 0308 80 03  |

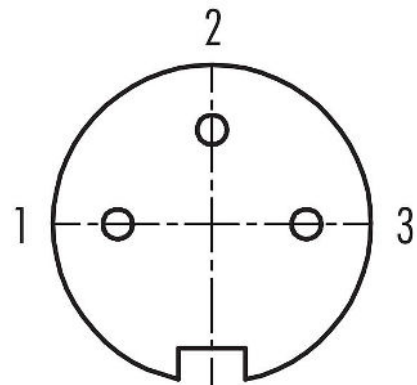
### Illustration



### Scale drawing



### Contact arrangement (Plug-in side)



You can find the component part drawing and assembly instructions on the next page.

### Technical data

#### General features

|                           |                               |
|---------------------------|-------------------------------|
| Part no.                  | 09 0308 80 03                 |
| Connector design          | Female panel mount connector  |
| Type standard             | DIN EN 61076-2-106            |
| Version                   | Connector socket straight     |
| Connector locking system  | screw                         |
| Termination               | solder                        |
| Degree of protection      | IP40                          |
| Cross-sectional area      | 0.75 mm <sup>2</sup> / AWG 18 |
| Temperature range from/to | -40 °C / 85 °C                |
| Mechanical operation      | > 500 Mating cycles           |
| Weight (g)                | 8.80                          |
| Customs tariff number     | 85369010                      |
| Country of Origin         | DE                            |

#### Electrical parameters

|                       |                      |
|-----------------------|----------------------|
| Rated voltage         | 250 V                |
| Rated impulse voltage | 1500 V               |
| Rated current         | 7.0 A                |
| Insulation resistance | ≥ 10 <sup>10</sup> Ω |

# Product data sheet

## Miniature connectors



|                     |   |
|---------------------|---|
| Product description | <b>M16 Female panel mount connector, Contacts: 3 (03-a), unshielded, solder, IP40, front fastened</b> |
| -                   | -   |
| Area                | <b>M16 IP40 series 680</b>  |
| Part no.            | <b>09 0308 80 03</b>  |

|                           |            |
|---------------------------|------------|
| Pollution degree          | 1          |
| Overvoltage category      | I          |
| Insulating material group | III        |
| EMC compliance            | unshielded |

### Material

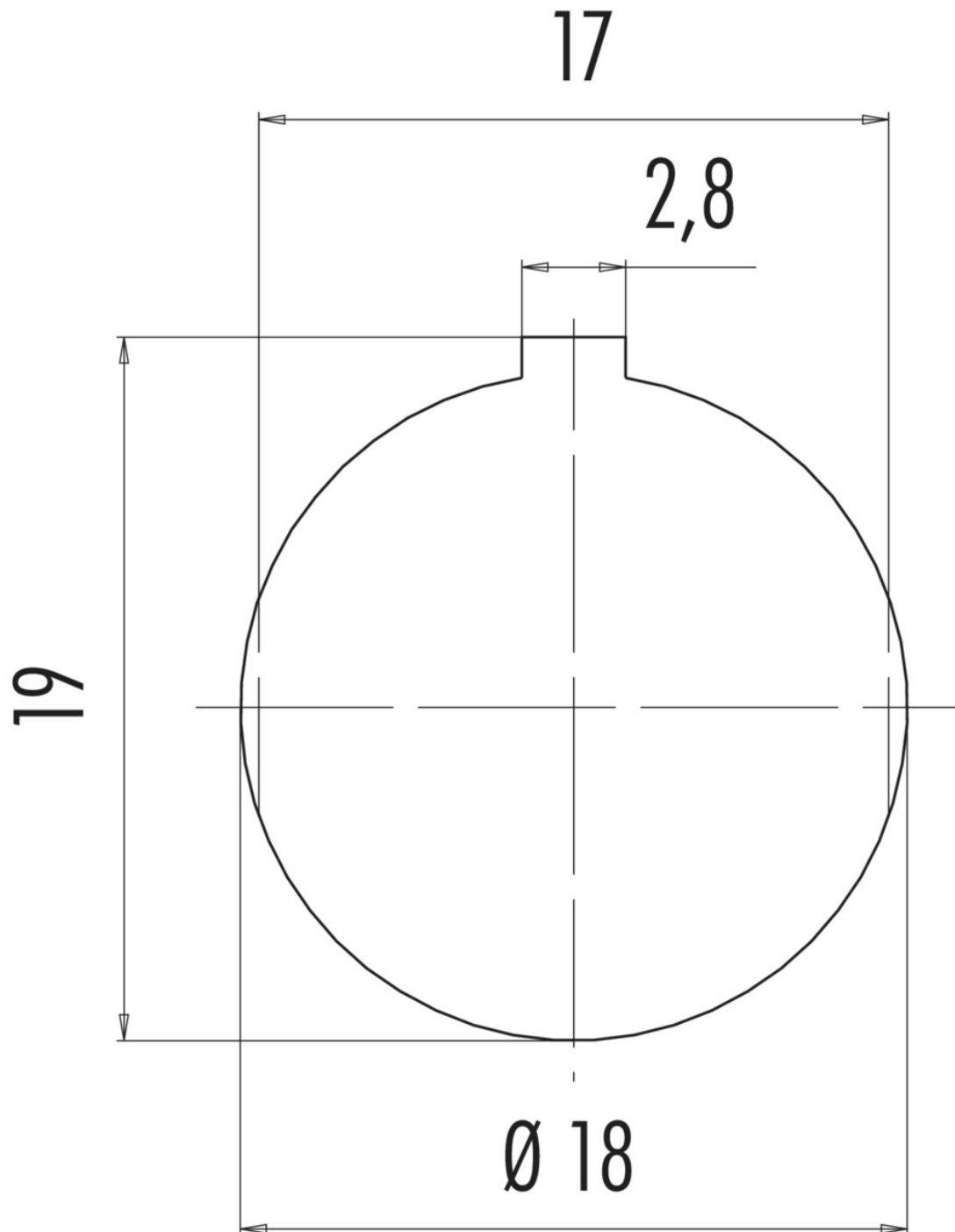
|                       |                                      |
|-----------------------|--------------------------------------|
| Housing material      | Zinc die-cast nickel-plated          |
| Contact body material | PBT (UL94 V-0)                       |
| Contact material      | CuSn (bronze)                        |
| Contact plating       | Ag (silver)                          |
| REACH SVHC            | CAS 7439-92-1 (Lead)                 |
| SCIP number           | a5d0f502-94bc-4d67-8a39-8869d2297bdd |

### Classifications

|             |             |
|-------------|-------------|
| eCl@ss 11.1 | 27-44-01-09 |
| ETIM 9.0    | EC003569    |

|                     |  |
|---------------------|--|
| Product description | M16 Female panel mount connector, Contacts: 3 (03-a), unshielded, solder, IP40, front fastened |
| Area                | M16 IP40 series 680  |
| Part no.            | 09 0308 80 03  |

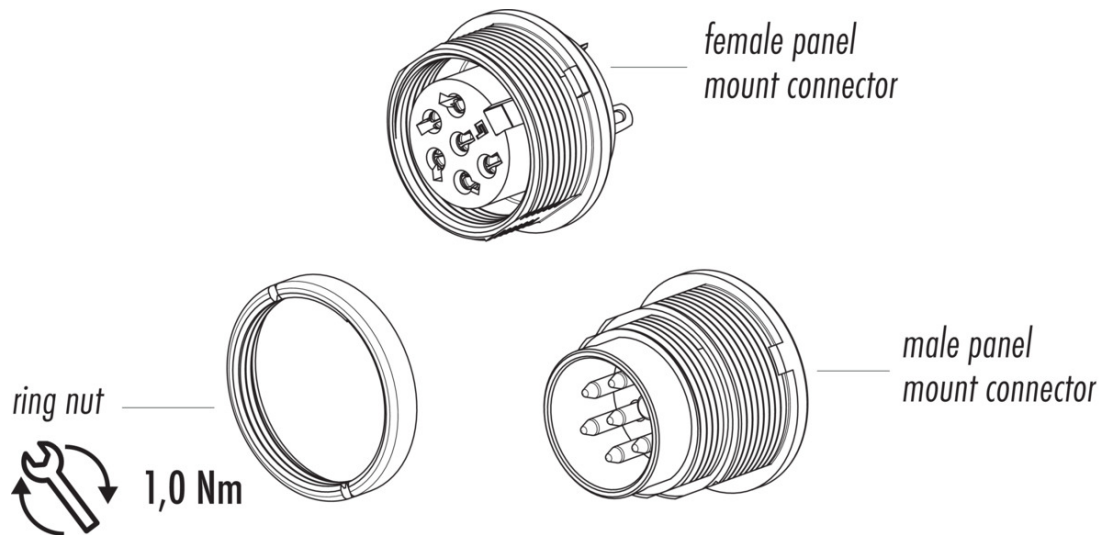
Assembly instructions / Panel cut-out



**Product data sheet**  
**Miniature connectors**

|                     |   |
|---------------------|---|
| Product description | <b>M16 Female panel mount connector, Contacts: 3 (03-a), unshielded, solder, IP40, front fastened</b> |
| -                   | -   |
| Area                | <b>M16 IP40 series 680</b>  |
| Part no.            | <b>09 0308 80 03</b>  |

**Component part drawing**



|                     |   |
|---------------------|---|
| Product description | <b>M16 Female panel mount connector, Contacts: 3 (03-a), unshielded, solder, IP40, front fastened</b> |
| -                   | -   |
| Area                | <b>M16 IP40 series 680</b>  |
| Part no.            | <b>09 0308 80 03</b>  |

### **General Disclaim Notice**

The connector must not be plugged or unplugged under load. Non-observance and improper use can result in personal injury.

The connectors have been developed for applications in plant engineering, control and electrical equipment construction. The user is responsible for checking whether the connectors can also be used in other areas of application.

To protect against unintentional opening of the connector, the thread between the housing and the connector head must be secured with a suitable cyanoacrylate adhesive when used in circuits with voltages dangerous to the touch. This does not apply to connectors used in SELV and PELV circuits according to IEC 61140 (EN 61140, VDE 0140-1).

The plug connector is not suitable for mains voltages Please observe the pollution degree and the overvoltage category. For further information, please refer to the download center "Technical Information".