

Product data sheet

Miniature connectors

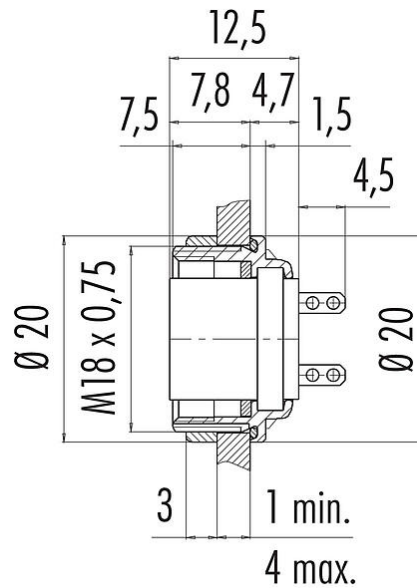


Product description	M16 Female panel mount connector, Contacts: 8 (08-a), unshielded, solder, IP68, UL, AISG compliant, front fastened
Area	M16 IP67 series 723
Part no.	09 0174 80 08

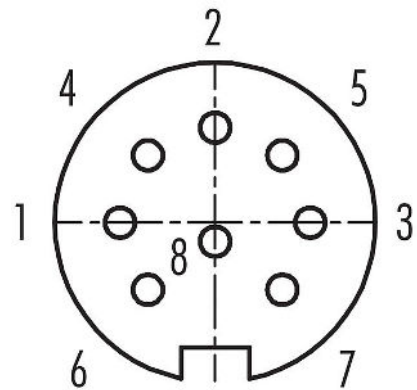
Illustration



Scale drawing



Contact arrangement (Plug-in side)



You can find the component part drawing and assembly instructions on the next page.

Technical data

General features

Part no.	09 0174 80 08
Connector design	Female panel mount connector
Type standard	DIN EN 61076-2-106
Version	Connector socket straight
Connector locking system	screw
Termination	solder
Degree of protection	IP68 IP67
Cross-sectional area	0.75 mm ² / AWG 18
Temperature range from/to	-40 °C / 95 °C
Mechanical operation	> 500 Mating cycles
Weight (g)	8.54
Customs tariff number	85369010
Country of Origin	DE

Electrical parameters

Rated voltage	60 V
Rated impulse voltage	500 V
Rated current	5.0 A
Insulation resistance	≥ 10 ¹⁰ Ω

Product data sheet

Miniature connectors



Product description	M16 Female panel mount connector, Contacts: 8 (08-a), unshielded, solder, IP68, UL, AISG compliant, front fastened
-	-
Area	M16 IP67 series 723
Part no.	09 0174 80 08

Pollution degree	1
Overvoltage category	I
Insulating material group	III
EMC compliance	unshielded

Material

Housing material	Zinc die-cast nickel-plated
Contact body material	PBT (UL94 V-0)
Contact material	CuSn (bronze)
Contact plating	Ag (silver)
REACH SVHC	CAS 7439-92-1 (Lead)
SCIP number	27bc0c9-1a88-4d03-beff-52ca289e1d9b

Authorization/approvals

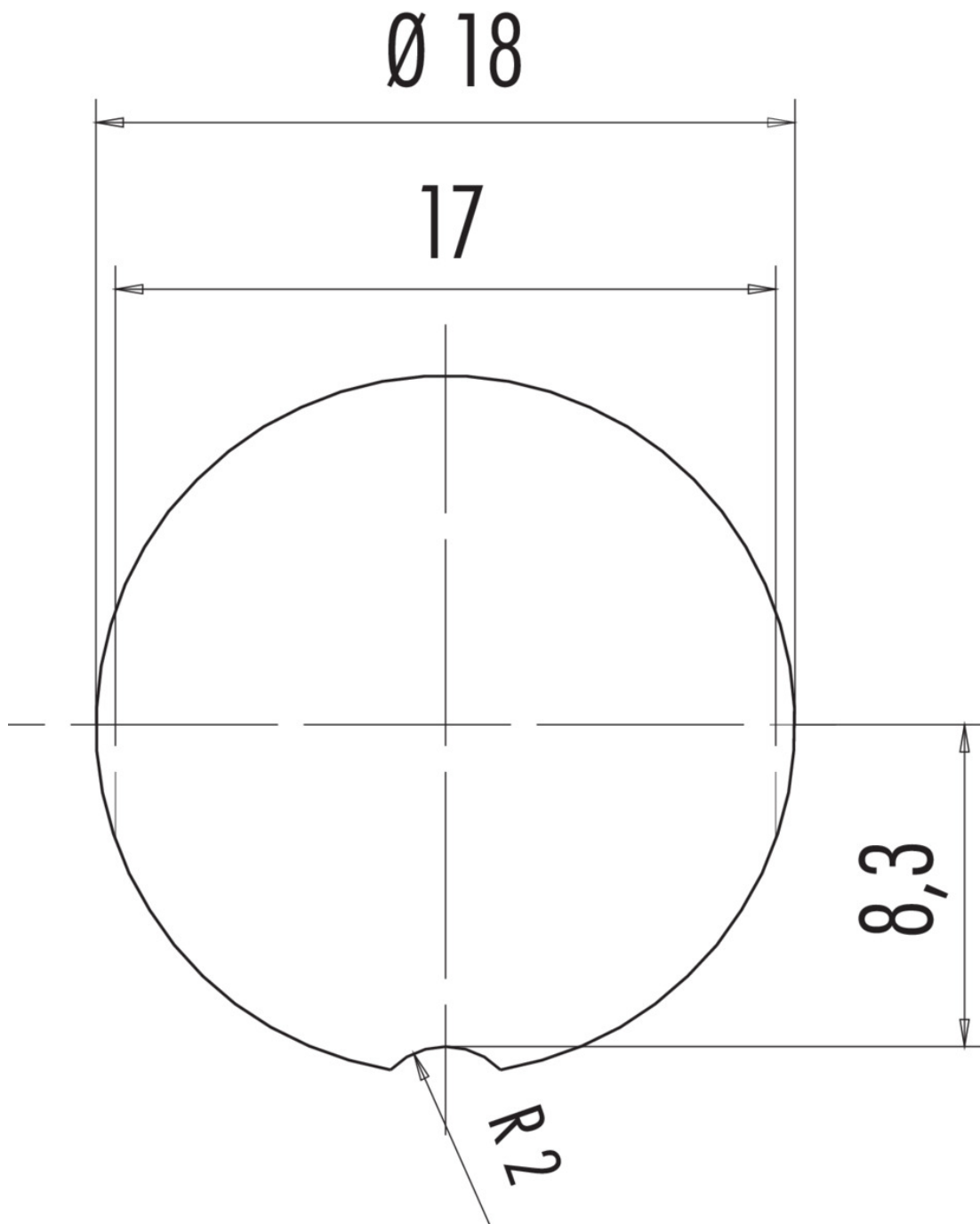
Approvals	UL, AISG compliant
-----------	--------------------

Classifications

eCl@ss 11.1	27-44-01-09
ETIM 9.0	EC003569

Product description	M16 Female panel mount connector, Contacts: 8 (08-a), unshielded, solder, IP68, UL, AISG compliant, front fastened
Area	M16 IP67 series 723
Part no.	09 0174 80 08

Assembly instructions / Panel cut-out



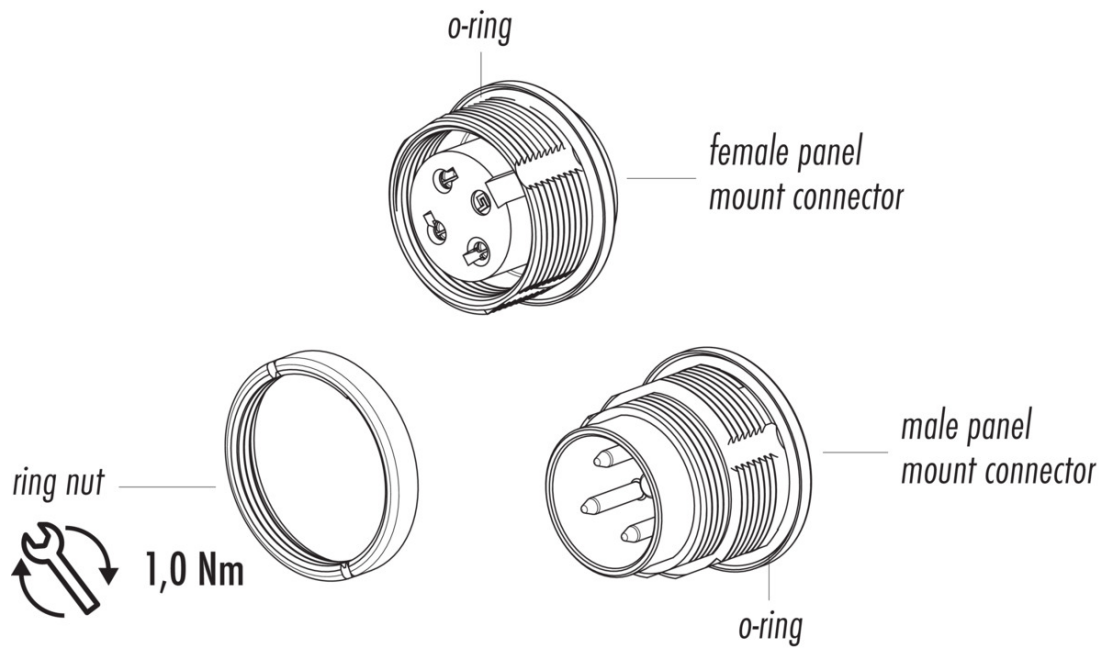
Product data sheet

Miniature connectors



Product description	M16 Female panel mount connector, Contacts: 8 (08-a), unshielded, solder, IP68, UL, AISG compliant, front fastened
Area	M16 IP67 series 723
Part no.	09 0174 80 08

Component part drawing



Product description	M16 Female panel mount connector, Contacts: 8 (08-a), unshielded, solder, IP68, UL, AISG compliant, front fastened
-	-
Area	M16 IP67 series 723
Part no.	09 0174 80 08

General Disclaim Notice

The connectors have been developed for applications in plant engineering, control and electrical equipment construction. The user is responsible for checking whether the connectors can also be used in other areas of application.

Plug connectors with enclosure protection IP67 and IP68 are not suitable for use under water. When used outdoors, the plug connectors must be protected separately against corrosion. For further information on the IP protection classes, please refer to the "Technical Information" download centre.