

Product data sheet

Subminiature connectors

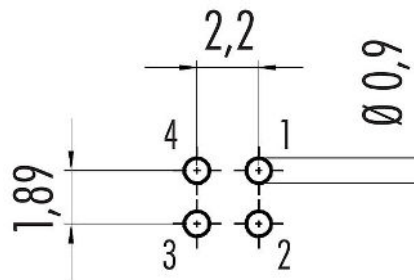


Product description	M9 Female angled panel mount connector, Contacts: 4, unshielded, THT, IP40
Area	M9 IP40 series 711
Part no.	09 0082 32 04

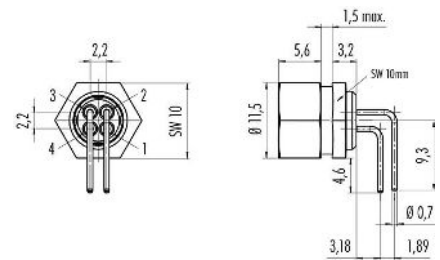
Illustration



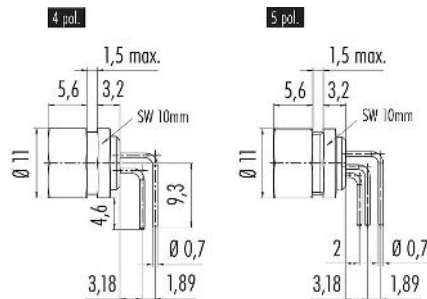
Conductor layout



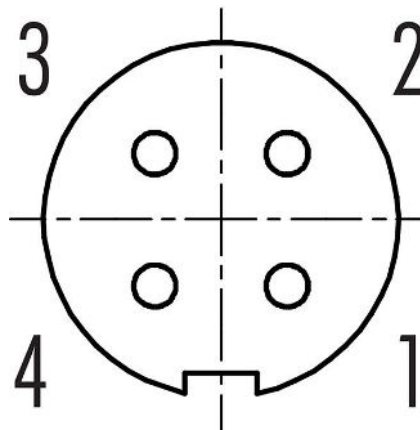
Flexplatte



Scale drawing



Contact arrangement (Plug-in side)



You can find the assembly instructions on the next page.

Technical data

General features

Part no.	09 0082 32 04
Connector design	Female angled panel mount connector
Version	Connector socket angled
Connector locking system	screw
Termination	THT
Degree of protection	IP40
Temperature range from/to	-40 °C / 85 °C
Mechanical operation	> 500 Mating cycles

Product data sheet

Subminiature connectors



Product description	M9 Female angled panel mount connector, Contacts: 4, unshielded, THT, IP40
-	-
Area	M9 IP40 series 711
Part no.	09 0082 32 04

Weight (g)	3.08
Customs tariff number	85369010
Country of Origin	DE

Electrical parameters

Rated voltage	125 V
Rated impulse voltage	1500 V
Rated current	3,0 A
Insulation resistance	$\geq 10^9 \Omega$
Pollution degree	1
Overvoltage category	II
Insulating material group	III
EMC compliance	unshielded

Material

Contact body material	PA (UL94 V-0)
Contact material	CuSn (bronze)
Contact plating	Au (gold)
REACH SVHC	CAS 7439-92-1 (Lead)
SCIP number	e6bee8ad-49ef-4251-b5bb-91d2f585bed4

Classifications

eCl@ss 11.1	27-44-01-09
ETIM 9.0	EC003569

Product data sheet
Subminiature connectors



Product description	M9 Female angled panel mount connector, Contacts: 4, unshielded, THT, IP40
-	-
Area	M9 IP40 series 711
Part no.	09 0082 32 04

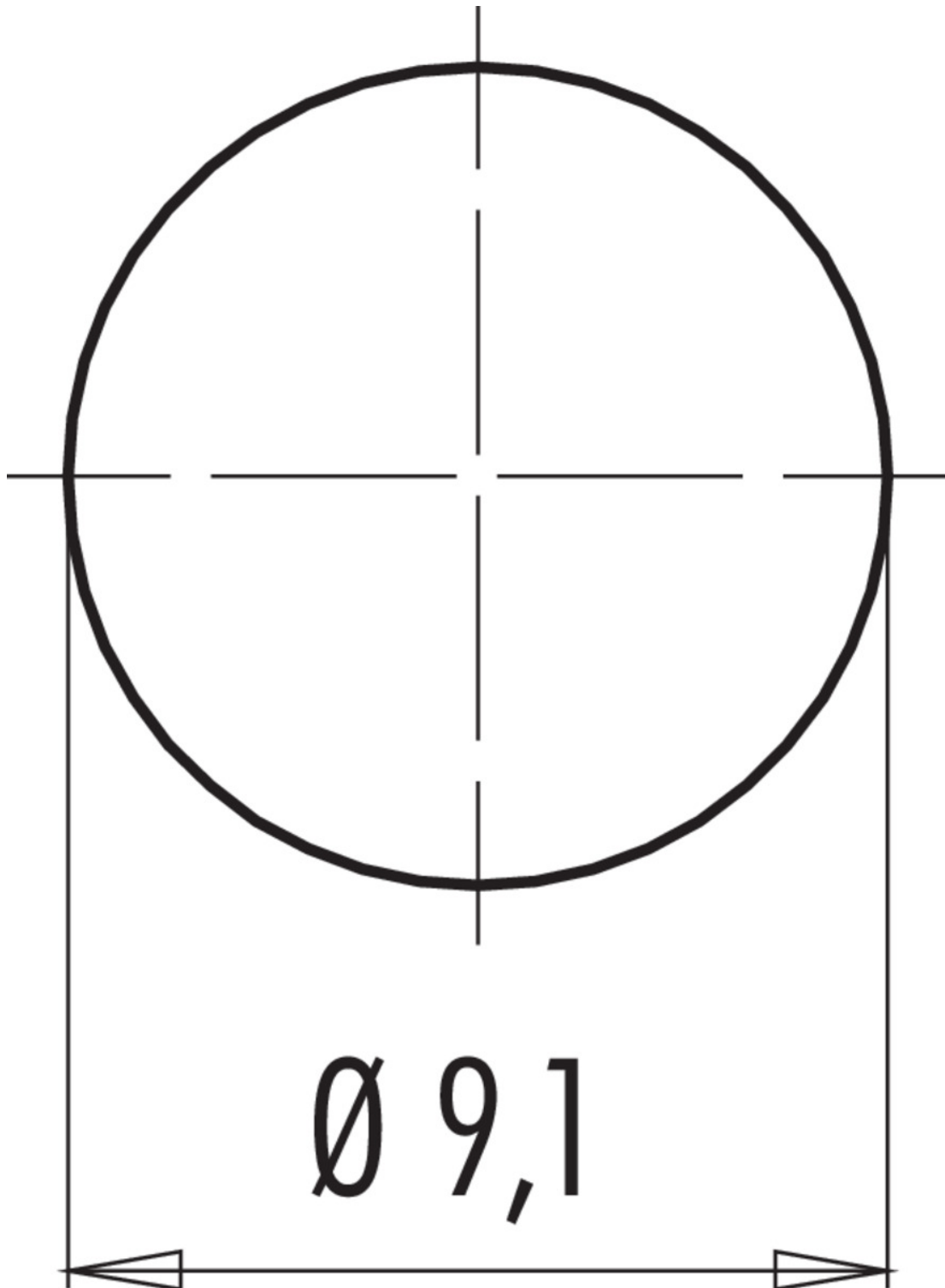
Product data sheet
Subminiature connectors



Product description	M9 Female angled panel mount connector, Contacts: 4, unshielded, THT, IP40
-	-
Area	M9 IP40 series 711
Part no.	09 0082 32 04

Product description	M9 Female angled panel mount connector, Contacts: 4, unshielded, THT, IP40
-	-
Area	M9 IP40 series 711
Part no.	09 0082 32 04

Assembly instructions / Panel cut-out



Product data sheet

Subminiature connectors



Product description	M9 Female angled panel mount connector, Contacts: 4, unshielded, THT, IP40
-	-
Area	M9 IP40 series 711
Part no.	09 0082 32 04

General Disclaim Notice

The connector must not be plugged or unplugged under load. Non-observance and improper use can result in personal injury.

The connectors have been developed for applications in plant engineering, control and electrical equipment construction. The user is responsible for checking whether the connectors can also be used in other areas of application.