

Product data sheet

Power connectors

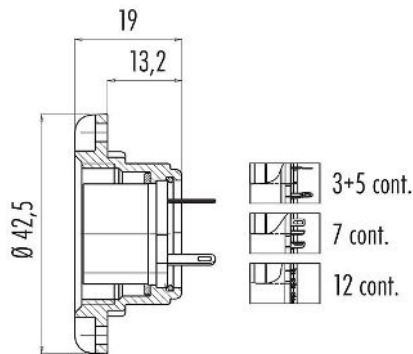


Product description	M25 Female panel mount connector, Contacts: 5, shieldable, solder, IP40
Area	M25 series 691
Part no.	09 0040 00 05

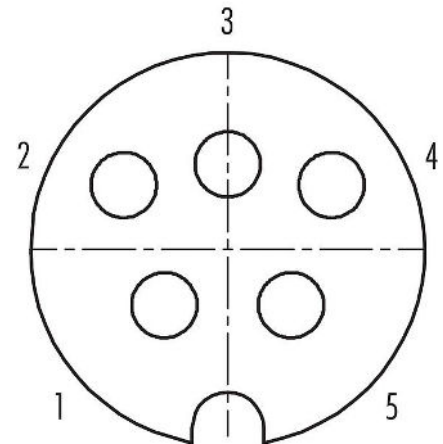
Illustration



Scale drawing



Contact arrangement (Plug-in side)



You can find the assembly instructions on the next page.

Technical data

General features

Part no.	09 0040 00 05
Connector design	Female panel mount connector
Version	Connector socket straight
Connector locking system	screw
Termination	solder
Degree of protection	IP40
Cross-sectional area	1.50 mm ² / AWG 16
Temperature range from/to	-40 °C / 85 °C
Mechanical operation	> 500 Mating cycles
Weight (g)	36.88
Customs tariff number	85369010
Country of Origin	DE

Electrical parameters

Rated voltage	250 V
Rated impulse voltage	2500 V
Rated current	10.0 A
Insulation resistance	≥ 10 ¹⁰ Ω
Pollution degree	1
Overvoltage category	II
Insulating material group	III
EMC compliance	shieldable
Shield connection	Shield on the housing

Product data sheet

Power connectors



Product description	M25 Female panel mount connector, Contacts: 5, shieldable, solder, IP40
-	-
Area	M25 series 691
Part no.	09 0040 00 05

Material

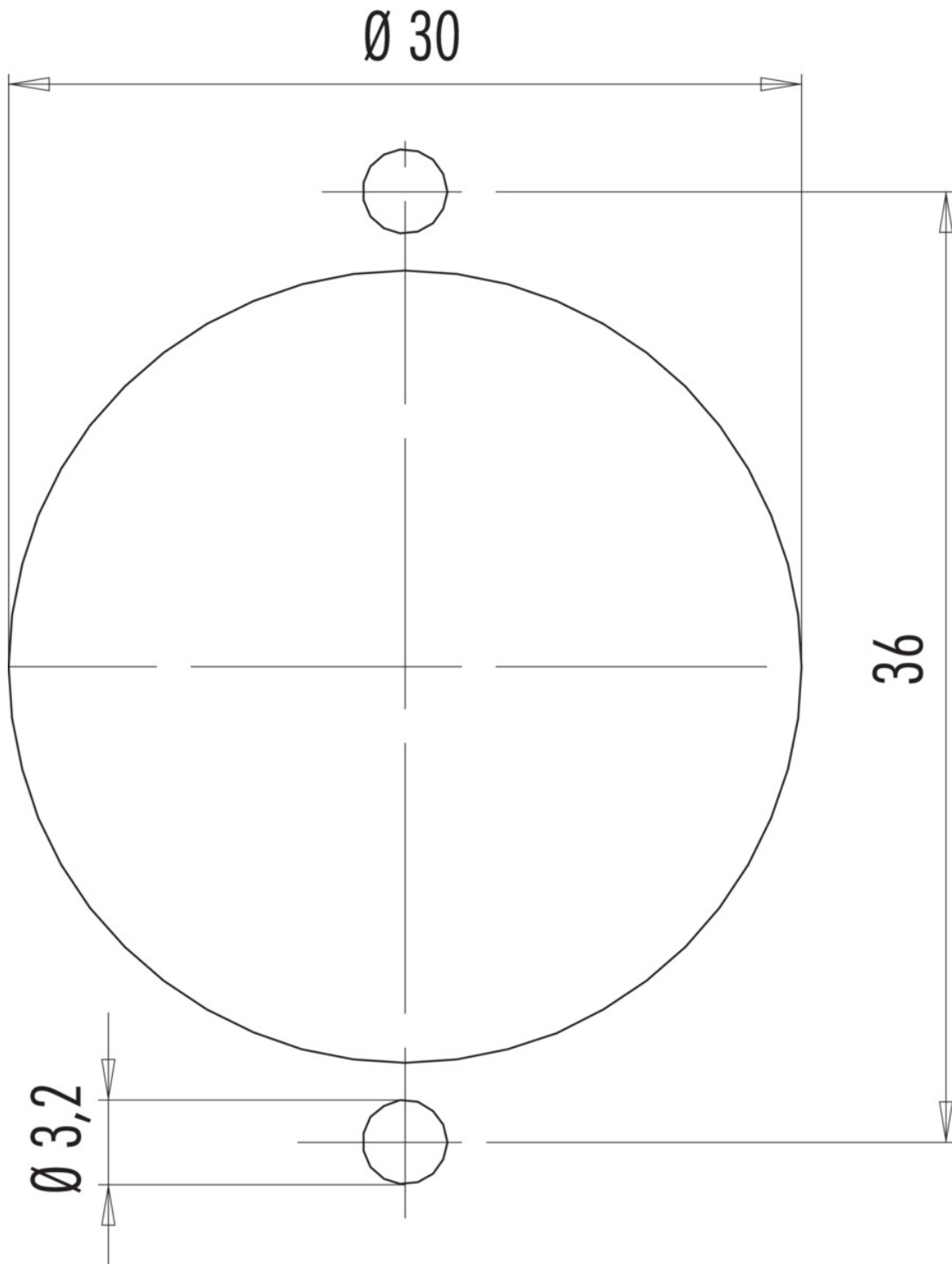
Housing material	GD-AL eloxiert
Contact body material	PBT (UL94 V-0)
Contact material	CuSn (bronze)
Contact plating	Ag (silver)
REACH SVHC	None (No pollutants)
SCIP number	SCIP-number not available

Classifications

eCl@ss 11.1	27-44-01-09
ETIM 9.0	EC003569

Product description	M25 Female panel mount connector, Contacts: 5, shieldable, solder, IP40
Area	M25 series 691
Part no.	09 0040 00 05

Assembly instructions / Panel cut-out



Product description	M25 Female panel mount connector, Contacts: 5, shieldable, solder, IP40
-	-
Area	M25 series 691
Part no.	09 0040 00 05

General Disclaim Notice

The connector must not be plugged or unplugged under load. Non-observance and improper use can result in personal injury.

The connectors have been developed for applications in plant engineering, control and electrical equipment construction. The user is responsible for checking whether the connectors can also be used in other areas of application.

To protect against unintentional opening of the connector, the thread between the housing and the connector head must be secured with a suitable cyanoacrylate adhesive when used in circuits with voltages dangerous to the touch. This does not apply to connectors used in SELV and PELV circuits according to IEC 61140 (EN 61140, VDE 0140-1).

Connectors which are used in circuits with voltages dangerous to the touch may only be installed and used by, or under the supervision of, persons with electrical engineering training, taking into account the applicable regulations and standards.