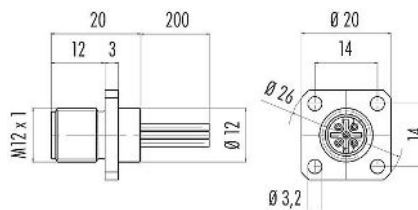


Product description	M12 Square male panel mount connector, Contacts: 12, unshielded, single wires, IP40, UL, Square
Area	M12-A series 763
Part no.	76 0931 0111 00012-0200

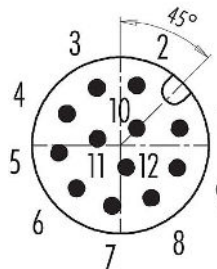
Illustration



Scale drawing



Contact arrangement (Plug-in side)



- 1 brown
- 2 blue
- 3 white
- 4 green
- 5 pink
- 6 yellow
- 7 black
- 8 grey
- 9 red
- 10 purple
- 11 grey/pink
- 12 red/blue

You can find the assembly instructions on the next page.

Technical data

General features

Part no.	76 0931 0111 00012-0200
	Alternative part no.: 09 3493 00 12
Notice	Please note that, due to the change from the old to the new order number, there may be deviations in the technical specifications. For questions about product details, please use the 'Contact Customer Service' form on the right.
Connector design	Square male panel mount connector
Type standard	DIN EN 61076-2-101
Wire length	0.2 m
Version	Connector pin straight
Connector locking system	screw
Termination	single wires
Degree of protection	IP40 IP67 with seal, see accessories
Cross-sectional area	0.14 mm ² / AWG 26
Temperature range from/to	-40 °C / 85 °C
Mechanical operation	> 100 Mating cycles
Weight (g)	15.32
Customs tariff number	85369010

Electrical parameters

Rated voltage	30 V
Rated impulse voltage	800 V
Rated current	1.5 A
Insulation resistance	> 10 ¹⁰ Ω

Product description	M12 Square male panel mount connector, Contacts: 12, unshielded, single wires, IP40, UL, Square
Area	M12-A series 763
Part no.	76 0931 0111 00012-0200

Pollution degree	3
Insulating material group	III
EMC compliance	unshielded

Material

Housing material	CuZn (Brass nickel plated)
Contact body material	PA black
Contact material	CuZn (brass)
Contact plating	Au (gold)
REACH SVHC	CAS 7439-92-1 (Lead)
SCIP number	3796c348-f5a5-49bb-a3e3-16ff17e6e8d7

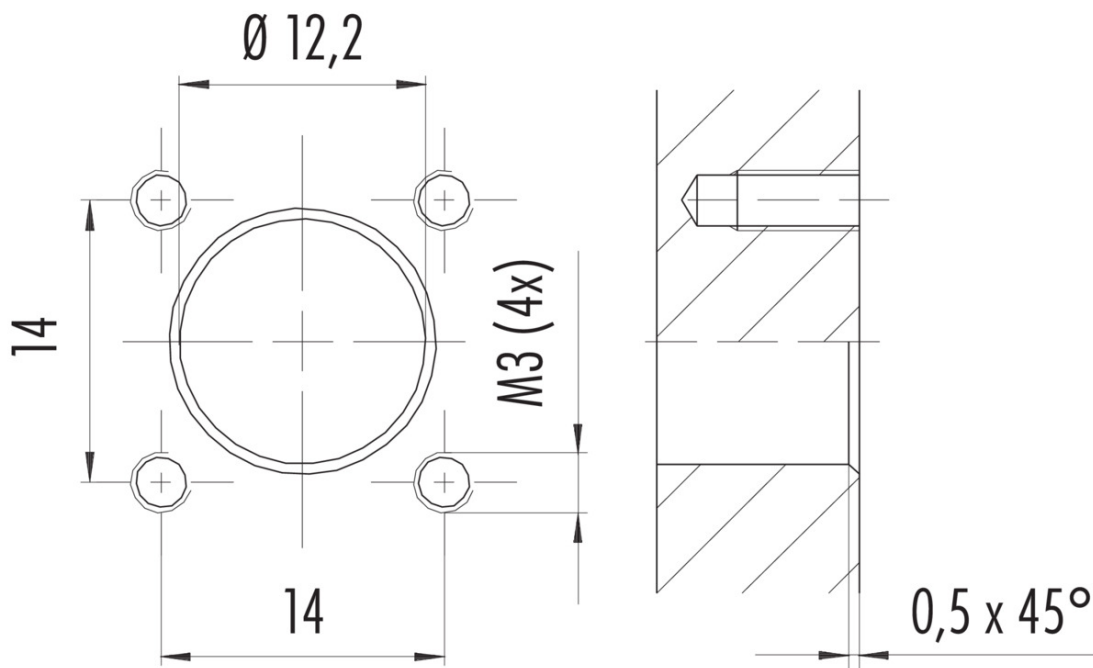
Authorization/approvals

Approvals	UL
-----------	----

Classifications

ETIM 9.0	EC003570
----------	----------

Assembly instructions / Panel cut-out



Product description	M12 Square male panel mount connector, Contacts: 12, unshielded, single wires, IP40, UL, Square
-	-
Area	M12-A series 763
Part no.	76 0931 0111 00012-0200

General Disclaim Notice

The connector must not be plugged or unplugged under load. Non-observance and improper use can result in personal injury.

The connectors have been developed for applications in plant engineering, control and electrical equipment construction. The user is responsible for checking whether the connectors can also be used in other areas of application.

The protection class specification applies on condition that the four mounting holes are made as blind holes.

The user must take suitable safety precautions to ensure that the connector cannot be accidentally disconnected.