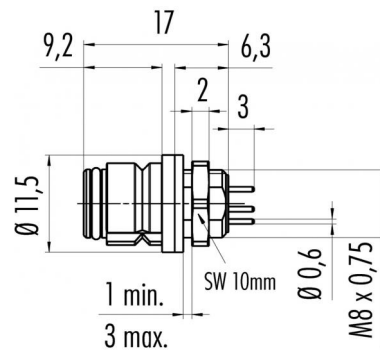


Product Area	Flanschdose, tauchlöten Snap-in connectors IP 67	serie 620	Pole	8
			Article number	99 9228 090 08

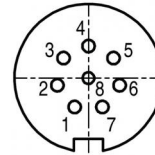
illustration



scale drawing



Contact Arrangement



	X	Y
1	-0,96	-1,98
2	-2,15	-0,49
3	-1,72	1,37
4	0,00	2,20
5	1,72	1,37
6	2,15	-0,49
7	0,96	-1,98
8	0,00	0,00

You can find the assembly instruction on the next page.

Technical data

Common values

Connector Design	Female socket
Termination	dip solder
Wire gauge (mm)	-
Wire gauge (AWG)	-
Cable outlet	-
Upper temperature	+85 °C
Lower temperature	-25 °C

Electrical values

Rated voltage	63 V
Rated impulse voltage	800 V
Pollution degree	2
Overvoltage category	II
Material group	II
Rated current (40°C)	1 A
Volume resistivity	≤ 3 mΩ
Degree of protection	IP 67
Mechanical operation	>500 mating cycles

Material

Material of contact	CuSn (bronze)
Contact plating	Au (gold)
Material of contact body	PA (UL 94 V-0)
Material of housing	PA (UL 94 V-0)

Cable data

material housing	-
insulation single lead	-
single lead structure	-
conductor resistance	-

Polzahl: 8, Flanschdose, tauchlöten



Product Flanschdose, tauchlöten  
Area Snap-in connectors IP 67

serie 620

Pole 8  
Article number 99 9228 090 08

Date: 2014-07-20 - Page 2 of 2

Installation instructions / Mounting cutout

