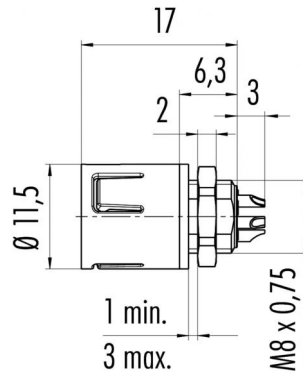


Product Area	Male socket Snap-in connectors IP 67	serie 620	Pole	5
			Article number	99 9215 050 05

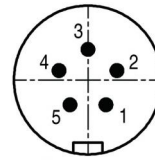
illustration



scale drawing



Contact Arrangement



	X	Y
1	1,23	-1,70
2	2,00	0,65
3	0,00	2,10
4	-2,00	0,65
5	-1,23	-1,70

You can find the item description and assembly instruction on the next page.

Technical data

Common values

Connector Design	Male socket
Wire gauge (mm)	0,25 mm ²
Wire gauge (AWG)	24
Cable outlet	3 - 5 mm
Upper temperature	+85 °C
Lower temperature	-25 °C

Material

Material of contact	CuZn (brass)
Contact plating	Au (gold)
Material of contact body	PA (UL 94 V-0)
Material of housing	PA (UL 94 V-0)

Electrical values

Rated voltage	63 V
Rated impulse voltage	800 V
Pollution degree	2
Overvoltage category	II
Material group	II
Rated current (40°C)	2 A
Volume resistivity	≤ 3 mΩ
Degree of protection	IP 67
Mechanical operation	>500 mating cycles

Cable data

material housing	-
insulation single lead	-
single lead structure	-
conductor resistance	-

Polzahl: 5, Flanschstecker, rot



Product
Area

Male socket
Snap-in connectors IP 67

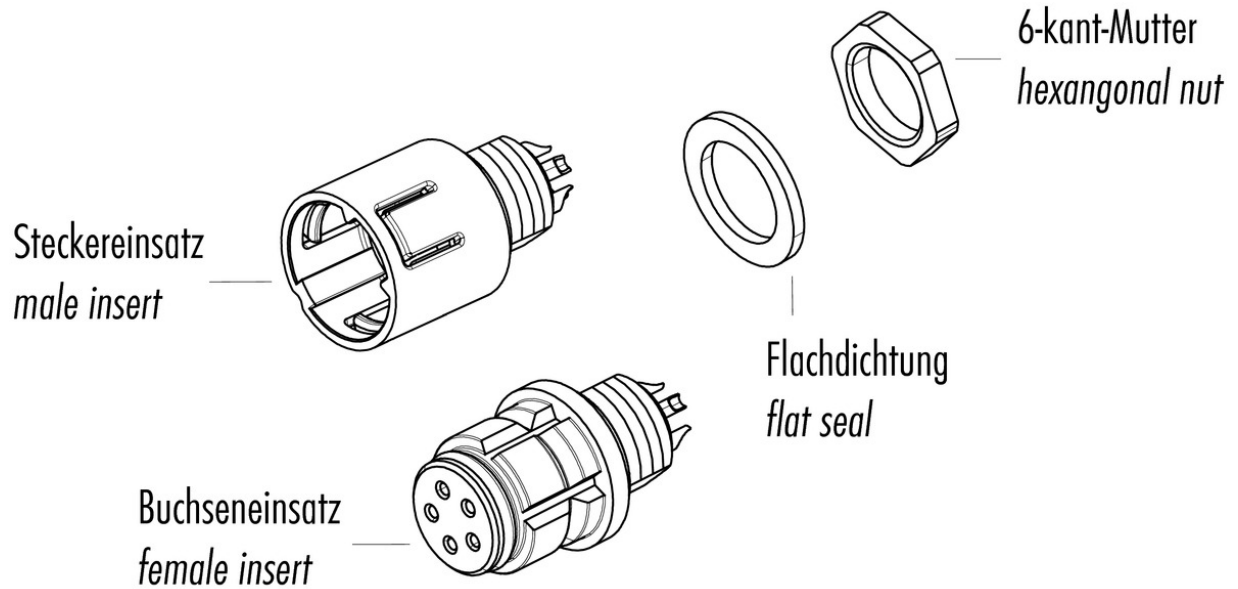
serie 620

Pole
Article number

5
99 9215 050 05

Date: 2014-07-20 - Page 2 of 2

Item description



Installation instructions / Mounting cutout

