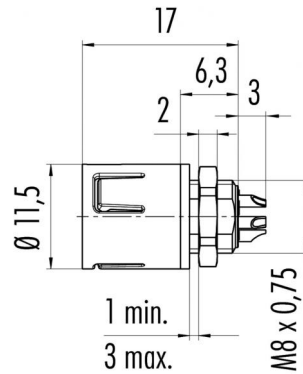


Product Area	Male socket Snap-in connectors IP 67	serie 620	Pole Article number	4 99 9211 00 04
--------------	---	-----------	---------------------	--------------------

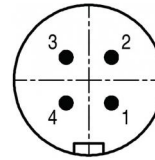
illustration



scale drawing



Contact Arrangement



	X	Y
1	1,55	-1,55
2	1,55	1,55
3	-1,55	1,55
4	-1,55	-1,55

You can find the item description and assembly instruction on the next page.

Technical data

Common values

Connector Design	Male socket
Connector locking system	Snap-in locking
Termination	solder
Wire gauge (mm)	0,25 mm ²
Wire gauge (AWG)	24
Cable outlet	3 - 5 mm
Upper temperature	+85 °C
Lower temperature	-25 °C

Electrical values

Rated voltage	125 V
Rated impulse voltage	1500 V
Pollution degree	2
Overvoltage category	II
Material group	II
Rated current (40°C)	2.5 A
Volume resistivity	≤ 3 mΩ
EMV compliance	not shieldable
Degree of protection	IP 67
Mechanical operation	>500 mating cycles

Material

Material of contact	CuZn (brass)
Contact plating	Au (gold)
Material of contact body	PA (UL 94 V-0)
Material of housing	PA (UL 94 V-0)

Cable data

material housing	-
insulation single lead	-
single lead structure	-
conductor resistance	-

Contacts 4, Female cable connector/Male socket



Product
Area

Male socket
Snap-in connectors IP 67

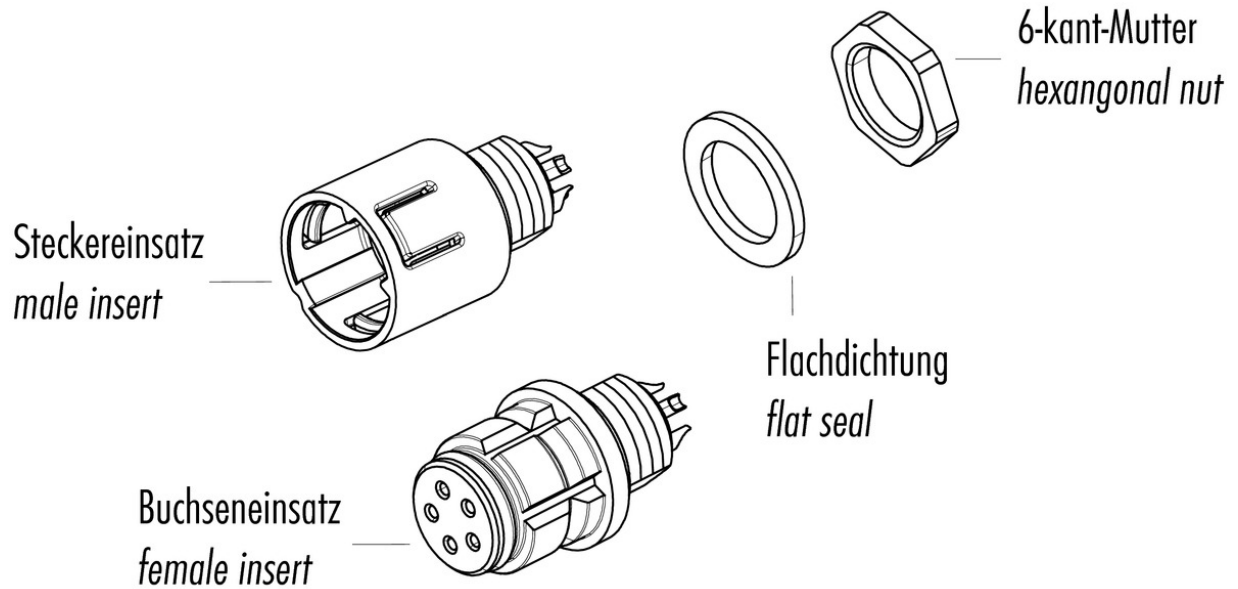
serie 620

Pole
Article number

4
99 9211 00 04

Date: 2014-07-20 - Page 2 of 2

Item description



Installation instructions / Mounting cutout

