

Product Flanschstecker, tauchlöten  
Area Snap-in connectors IP 67

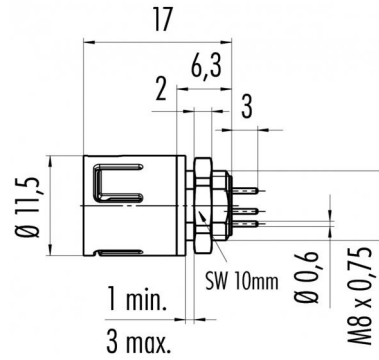
serie 620

Pole 3  
Article number 99 9207 090 03

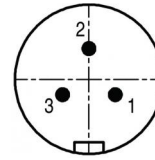
illustration



scale drawing



Contact Arrangement



	X	Y
1	1,82	-1,05
2	0,00	2,10
3	-1,82	-1,05

You can find the assembly instruction on the next page.

Technical data

Common values

Connector Design	Male socket
Termination	dip solder
Wire gauge (mm)	-
Wire gauge (AWG)	-
Cable outlet	-
Upper temperature	+85 °C
Lower temperature	-25 °C

Material

Material of contact	CuZn (brass)
Contact plating	Au (gold)
Material of contact body	PA (UL 94 V-0)
Material of housing	PA (UL 94 V-0)

Electrical values

Rated voltage	125 V
Rated impulse voltage	1500 V
Pollution degree	2
Overvoltage category	II
Material group	II
Rated current (40°C)	3 A
Volume resistivity	≤ 3 mΩ
Degree of protection	IP 67
Mechanical operation	>500 mating cycles

Cable data

material housing	-
insulation single lead	-
single lead structure	-
conductor resistance	-

Polzahl: 3, Flanschstecker, tauchlöten



Product  
Area

Flanschstecker, tauchlöten  
Snap-in connectors IP 67

serie 620

Pole  
Article number

3  
99 9207 090 03

Installation instructions / Mounting cutout

