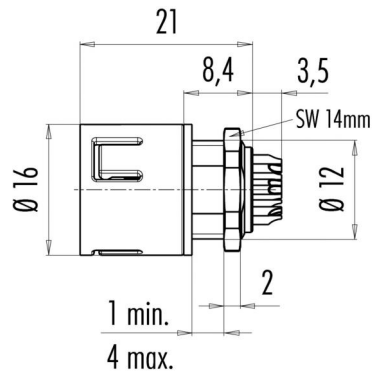


Product Area	Male socket, blue Snap-in connectors IP 67	serie 720	Pole Article number	12 99 9135 60 12
--------------	---	-----------	---------------------	---------------------

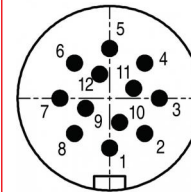
illustration



scale drawing



Contact Arrangement



	X	Y
1	0,00	-3,70
2	2,62	-2,62
3	3,70	0,00
4	2,62	2,62
5	0,00	3,70
6	-2,62	2,62
7	-3,70	0,00
8	-2,62	-2,62
9	-1,79	-0,74
10	0,74	-1,79
11	1,79	0,74
12	-0,74	1,79

You can find the item description and assembly instruction on the next page.

Technical data

Common values

Connector Design	Male socket
Connector locking system	Snap-in locking
Termination	solder
Wire gauge (mm)	0,25 mm <sup>2</sup>
Wire gauge (AWG)	24
Cable outlet	-
Upper temperature	+85 °C
Lower temperature	-25 °C

Material

Material of contact	CuZn (brass)
Contact plating	Au (gold)
Material of contact body	PA (UL 94 V-0)
Material of housing	PA (UL 94 V-0)

Cable data

Contacts 12, male socket, blue

Electrical values

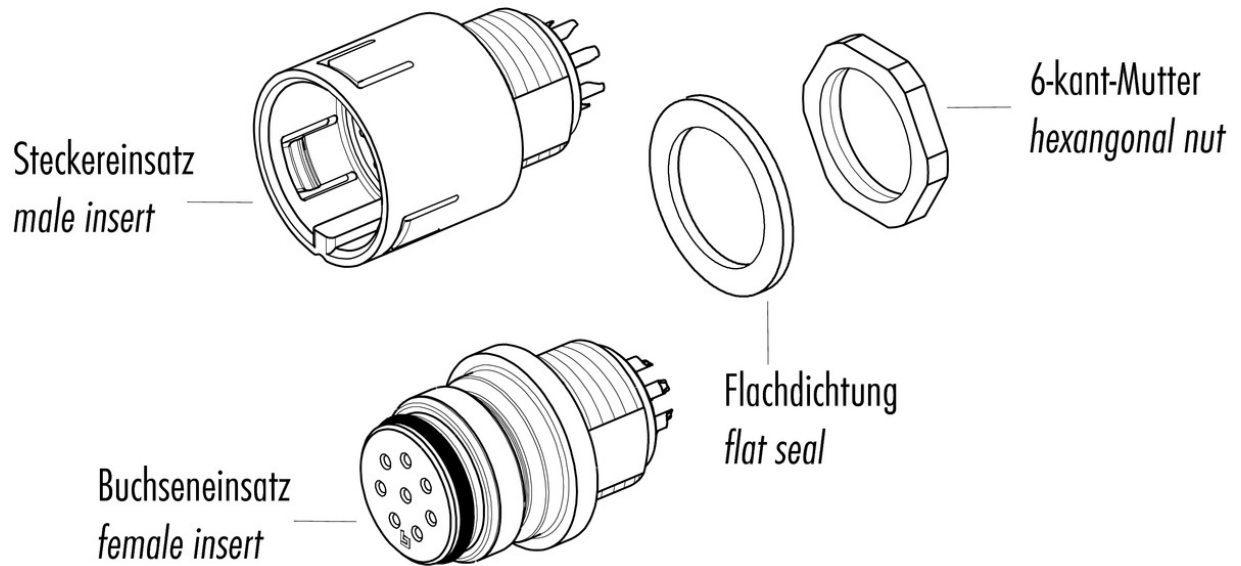
Rated voltage	60 V
Rated impulse voltage	800 V
Pollution degree	2
Overvoltage category	II
Material group	II
Rated current (40°C)	2 A
Volume resistivity	≤ 3 mΩ
EMV compliance	not shielded
Degree of protection	IP 67
Mechanical operation	>500 mating cycles



Product Area	Male socket, blue Snap-in connectors IP 67	serie 720	Pole Article number	12 99 9135 60 12
--------------	---	-----------	---------------------	---------------------

Date: 2014-07-20 - Page 2 of 2

Item description



Installation instructions / Mounting cutout

