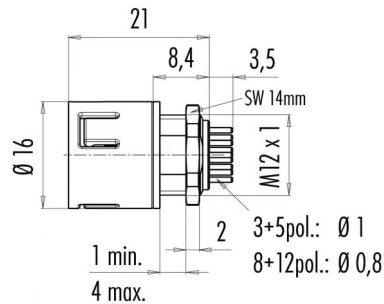


Product Area	Flanschstecker, tauchlöten Snap-in connectors IP 67	serie 720	Pole	12
			Article number	99 9135 090 12

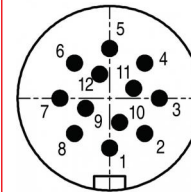
illustration



scale drawing



Contact Arrangement



	X	Y
1	0,00	-3,70
2	2,62	-2,62
3	3,70	0,00
4	2,62	2,62
5	0,00	3,70
6	-2,62	2,62
7	-3,70	0,00
8	-2,62	-2,62
9	-1,79	-0,74
10	0,74	-1,79
11	1,79	0,74
12	-0,74	1,79

You can find the item description and assembly instruction on the next page.

Technical data

Common values

Termination	dip solder
Upper temperature	+85 °C
Lower temperature	-25 °C

Material

Material of contact body	PA (UL 94 V-0)
Material of housing	PA (UL 94 V-0)

Electrical values

Rated voltage	60 V
Rated impulse voltage	800 V
Pollution degree	2
Overvoltage category	II
Material group	II
Rated current (40°C)	2 A
Volume resistivity	≤ 3 mΩ
Degree of protection	IP 67
Mechanical operation	>500 mating cycles

Cable data

Polzahl: 12, Flanschstecker schwarz, tauchlöten



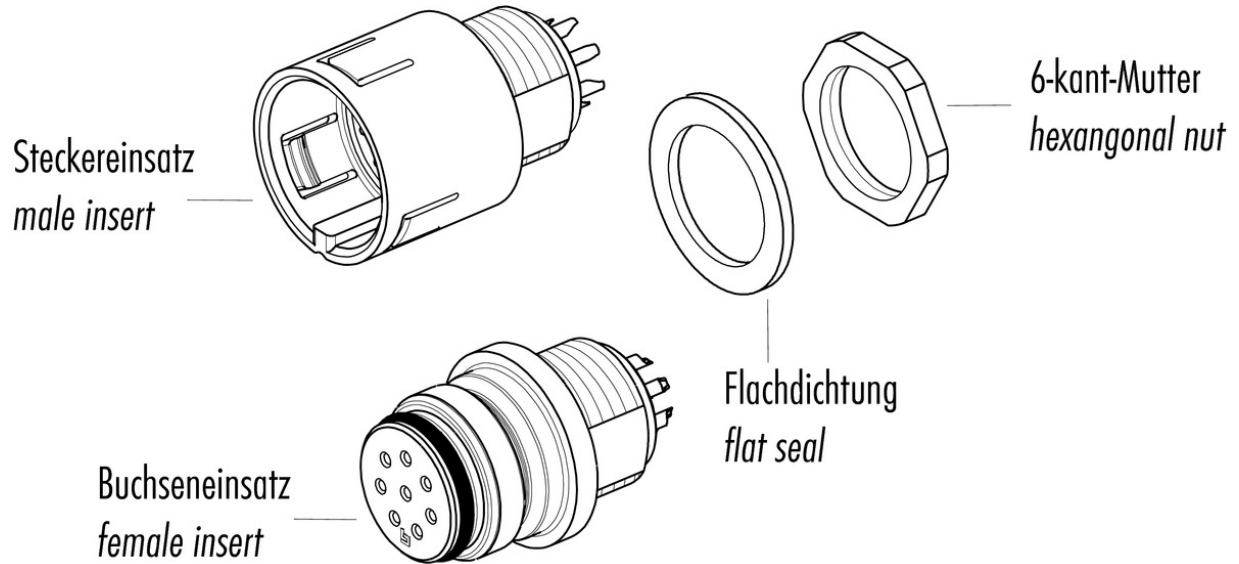
Product Area Flanschstecker, tauchlöten
 Snap-in connectors IP 67

serie 720

Pole 12
 Article number 99 9135 090 12

Date: 2014-07-20 - Page 2 of 2

Item description



Installation instructions / Mounting cutout

