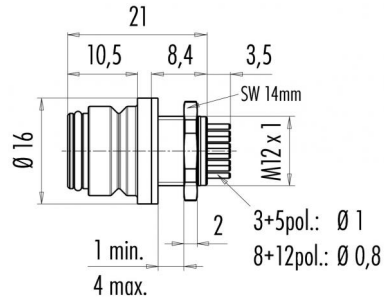


Product Area	Flanschdose schwarz, tauchlöten Snap-in connectors IP 67	serie 720	Pole	8
			Article number	99 9128 090 08

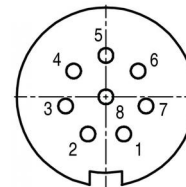
illustration



scale drawing



Contact Arrangement



	X	Y
1	1,35	-2,79
2	-1,35	-2,79
3	-3,02	-0,69
4	-2,43	1,93
5	0,00	3,10
6	2,43	1,93
7	3,02	-0,69
8	0,00	0,00

You can find the item description and assembly instruction on the next page.

Technical data

Common values

Termination	dip solder
Upper temperature	+85 °C
Lower temperature	-25 °C

Material

Material of contact body	PA (UL 94 V-0)
Material of housing	PA (UL 94 V-0)

Electrical values

Rated voltage	125 V
Rated impulse voltage	2500 V
Pollution degree	2
Overvoltage category	II
Material group	II
Rated current (40°C)	2 A
Volume resistivity	≤ 3 mΩ
Degree of protection	IP 67
Mechanical operation	>500 mating cycles

Cable data

Polzahl: 8, Flanschdose schwarz, tauchlöten



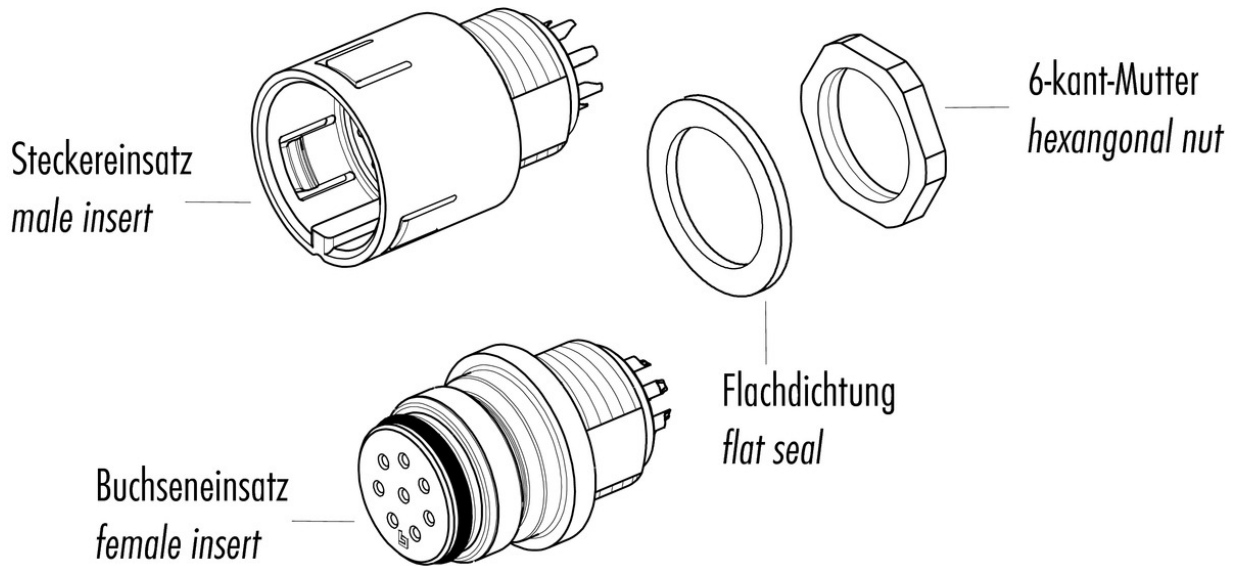
Product Area Flanschdose schwarz, tauchlöten
Snap-in connectors IP 67

serie 720

Pole 8
Article number 99 9128 090 08

Date: 2014-07-20 - Page 2 of 2

Item description



Installation instructions / Mounting cutout

