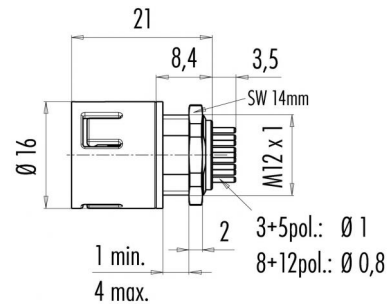


| | | | | |
|--------------|--|-----------|----------------|----------------|
| Product Area | Flanschstecker, tauchlöten Snap-in connectors IP 67 | serie 720 | Pole | 8 |
| | | | Article number | 99 9127 090 08 |

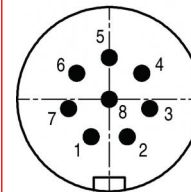
illustration



scale drawing



Contact Arrangement



| | X | Y |
|---|-------|-------|
| 1 | -1,35 | -2,79 |
| 2 | 1,35 | -2,79 |
| 3 | 3,02 | -0,69 |
| 4 | 2,43 | 1,93 |
| 5 | 0,00 | 3,10 |
| 6 | -2,43 | 1,93 |
| 7 | -3,02 | -0,69 |
| 8 | 0,00 | 0,00 |

You can find the item description and assembly instruction on the next page.

Technical data

Common values

| | |
|-------------------|------------|
| Termination | dip solder |
| Upper temperature | +85 °C |
| Lower temperature | -25 °C |

Material

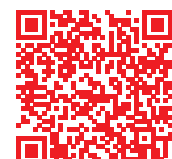
| | |
|--------------------------|----------------|
| Material of contact body | PA (UL 94 V-0) |
| Material of housing | PA (UL 94 V-0) |

Electrical values

| | |
|-----------------------|--------------------|
| Rated voltage | 125 V |
| Rated impulse voltage | 2500 V |
| Pollution degree | 2 |
| Overvoltage category | II |
| Material group | II |
| Rated current (40°C) | 2 A |
| Volume resistivity | ≤ 3 mΩ |
| Degree of protection | IP 67 |
| Mechanical operation | >500 mating cycles |

Cable data

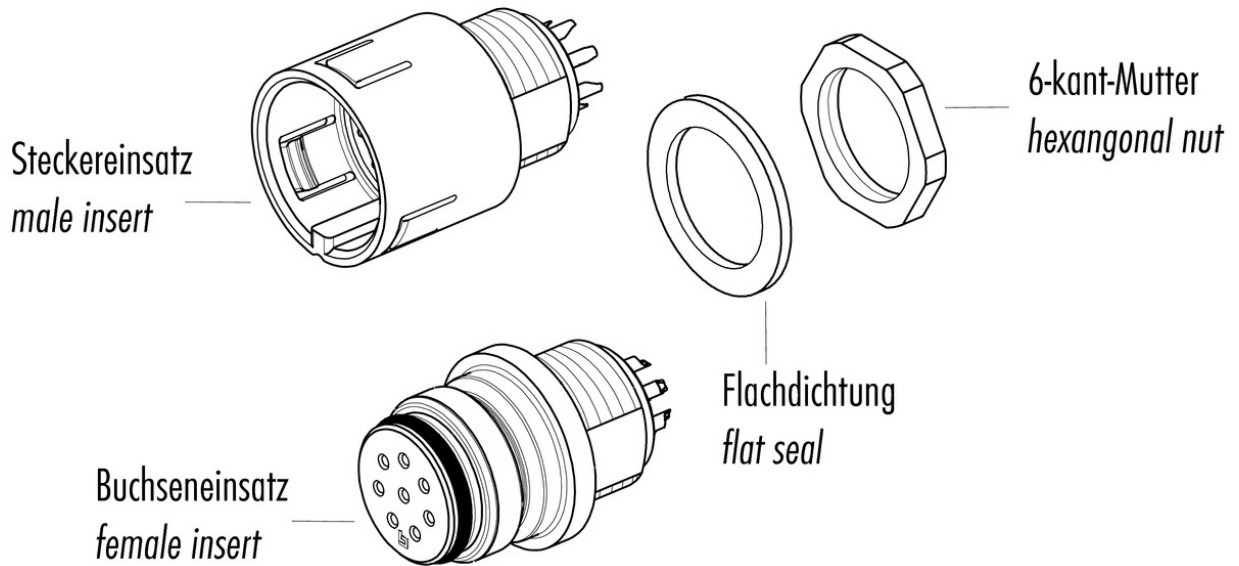
Polzahl: 8, Flanschstecker schwarz, tauchlöten



| | | | | |
|--------------|--|-----------|------------------------|---------------------|
| Product Area | Flanschstecker, tauchlöten Snap-in connectors IP 67 | serie 720 | Pole Article number | 8 99 9127 090 08 |
|--------------|--|-----------|------------------------|---------------------|

Date: 2014-07-20 - Page 2 of 2

Item description



Installation instructions / Mounting cutout

