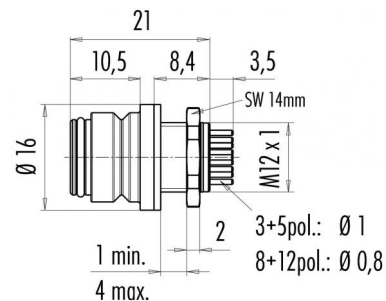


Product Area	Female socket, green Snap-in connectors IP 67	serie 720	Pole	5
			Article number	99 9116 70 05

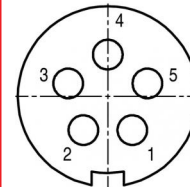
illustration



scale drawing



Contact Arrangement



	X	Y
1	1,82	-2,51
2	-1,82	-2,51
3	-2,95	0,96
4	0,00	3,10
5	2,95	0,96

You can find the item description and assembly instruction on the next page.

Technical data

Common values

Connector Design	Female socket
Connector locking system	Snap-in locking
Termination	solder
Wire gauge (mm)	0,75 mm ²
Wire gauge (AWG)	20
Cable outlet	-
Upper temperature	+85 °C
Lower temperature	-25 °C

Material

Material of contact	CuSn (bronze)
Contact plating	Au (gold)
Material of contact body	PA (UL 94 V-0)
Material of housing	PA (UL 94 V-0)

Cable data

Contacts 5, female socket, green

Electrical values

Rated voltage	125 V
Rated impulse voltage	1500 V
Pollution degree	2
Overvoltage category	II
Material group	II
Rated current (40°C)	5 A
Volume resistivity	≤ 3 mΩ
EMV compliance	not shielded
Degree of protection	IP 67
Mechanical operation	>500 mating cycles



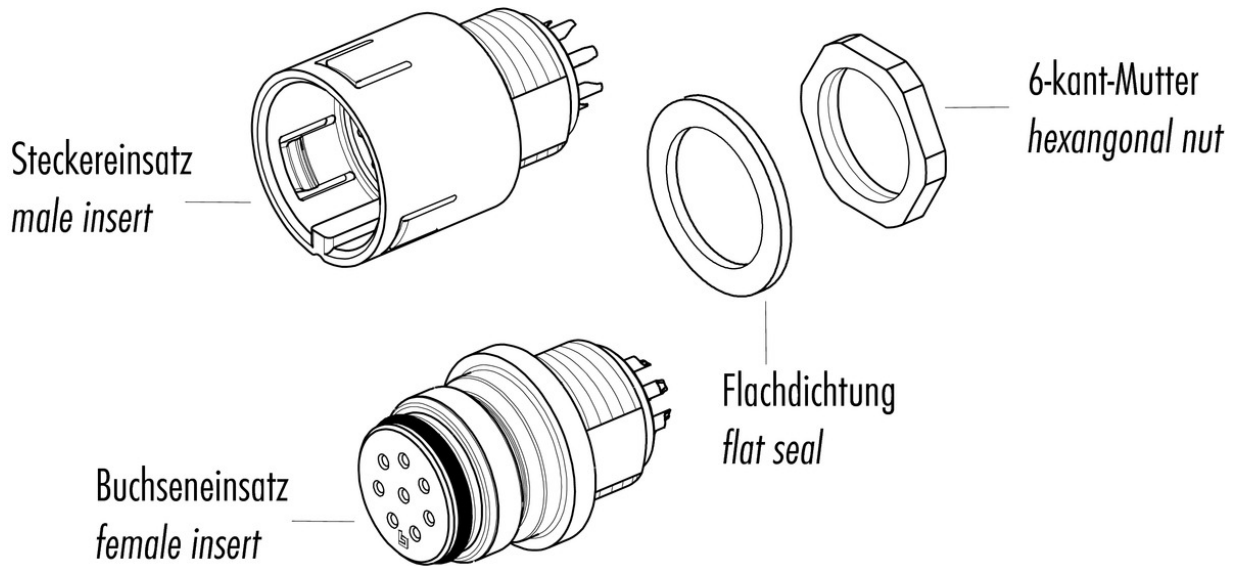
Product Area Female socket, green
Snap-in connectors IP 67

serie 720

Pole 5
Article number 99 9116 70 05

Date: 2014-07-20 - Page 2 of 2

Item description



Installation instructions / Mounting cutout

