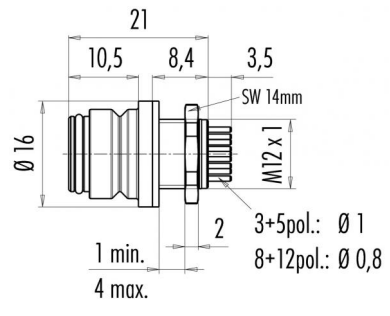


Product Area	Flanschdose schwarz, tauchlöten Snap-in connectors IP 67	serie 720	Pole	5
			Article number	99 9116 090 05

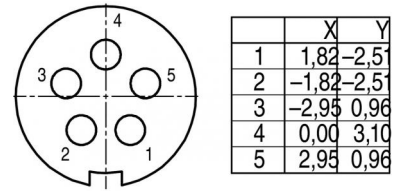
illustration



scale drawing



Contact Arrangement



You can find the item description and assembly instruction on the next page.

Technical data

Common values

Termination	dip solder
Wire gauge (mm)	max. 0,75 mm ²
Upper temperature	+85 °C
Lower temperature	-25 °C

Material

Material of contact body	PA (UL 94 V-0)
Material of housing	PA (UL 94 V-0)

Electrical values

Rated voltage	125 V
Rated impulse voltage	1500 V
Pollution degree	2
Overvoltage category	II
Material group	II
Rated current (40°C)	5 A
Volume resistivity	≤ 3 mΩ
Degree of protection	IP 67
Mechanical operation	>500 mating cycles

Cable data

Polzahl: 5, Flanschdose schwarz, tauchlöten



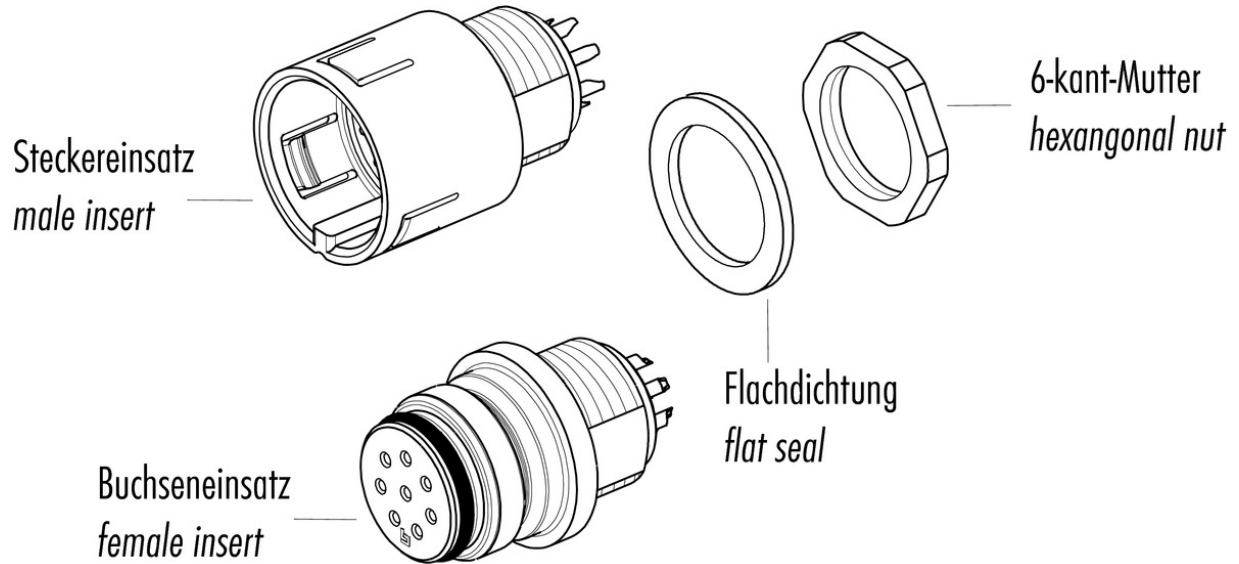
Product Area Flanschdose schwarz, tauchlöten
 Snap-in connectors IP 67

serie 720

Pole 5
 Article number 99 9116 090 05

Date: 2014-07-20 - Page 2 of 2

Item description



Installation instructions / Mounting cutout

