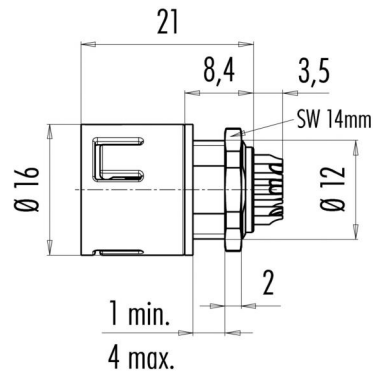


| | | | | |
|--------------|------------------------------------------------|-----------|---------------------|--------------------|
| Product Area | Male socket, green Snap-in connectors IP 67 | serie 720 | Pole Article number | 5 99 9115 70 05 |
|--------------|------------------------------------------------|-----------|---------------------|--------------------|

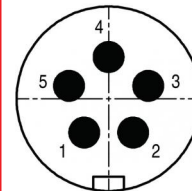
illustration



scale drawing



Contact Arrangement



| | X | Y |
|---|-------|-------|
| 1 | -1,82 | -2,51 |
| 2 | 1,82 | -2,51 |
| 3 | 2,95 | 0,96 |
| 4 | 0,00 | 3,10 |
| 5 | -2,95 | 0,96 |

You can find the item description and assembly instruction on the next page.

Technical data

Common values

| | |
|--------------------------|----------------------|
| Connector Design | Male socket |
| Connector locking system | Snap-in locking |
| Termination | solder |
| Wire gauge (mm) | 0,75 mm ² |
| Wire gauge (AWG) | 20 |
| Cable outlet | - |
| Upper temperature | +85 °C |
| Lower temperature | -25 °C |

Material

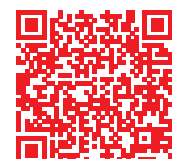
| | |
|--------------------------|----------------|
| Material of contact | CuZn (brass) |
| Contact plating | Au (gold) |
| Material of contact body | PA (UL 94 V-0) |
| Material of housing | PA (UL 94 V-0) |

Cable data

Contacts 5, male socket, green

Electrical values

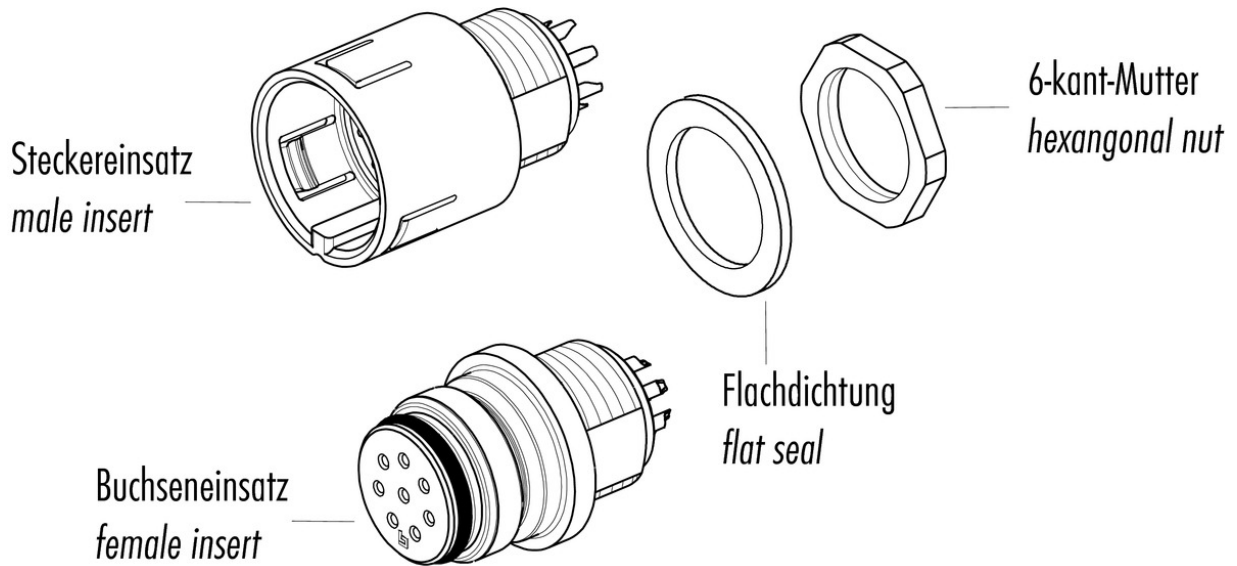
| | |
|-----------------------|--------------------|
| Rated voltage | 125 V |
| Rated impulse voltage | 1500 V |
| Pollution degree | 2 |
| Overvoltage category | II |
| Material group | II |
| Rated current (40°C) | 5 A |
| Volume resistivity | ≤ 3 mΩ |
| EMV compliance | not shielded |
| Degree of protection | IP 67 |
| Mechanical operation | >500 mating cycles |



| | | | | |
|--------------|------------------------------------------------|-----------|---------------------|--------------------|
| Product Area | Male socket, green Snap-in connectors IP 67 | serie 720 | Pole Article number | 5 99 9115 70 05 |
|--------------|------------------------------------------------|-----------|---------------------|--------------------|

Date: 2014-07-20 - Page 2 of 2

Item description



Installation instructions / Mounting cutout

