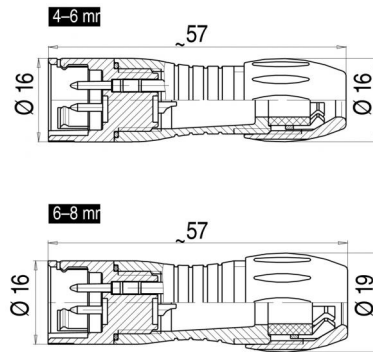


Product Area	Male cable connector red Snap-in connectors IP 67	serie 720	Pole Article number	5 99 9113 50 05
--------------	--	-----------	---------------------	--------------------

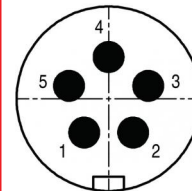
illustration



scale drawing



Contact Arrangement



	X	Y
1	-1,82	-2,51
2	1,82	-2,51
3	2,95	0,96
4	0,00	3,10
5	-2,95	0,96

You can find the item description on the next page.

Technical data

Common values

Connector Design	Male cable connector
Connector locking system	Snap-in locking
Termination	solder
Wire gauge (mm)	0,75 mm <sup>2</sup>
Wire gauge (AWG)	20
Cable outlet	4 - 6 mm
Upper temperature	+85 °C
Lower temperature	-40 °C

Material

Material of contact	CuZn (brass)
Contact plating	Au (gold)
Material of contact body	PA (UL 94 V-0)
Material of housing	PA (UL 94 V-0)

Cable data

Contacts 5, male cable connector, red, cable outlet 4 - 6 mm

Electrical values

Rated voltage	125 V
Rated impulse voltage	1500 V
Pollution degree	2
Overvoltage category	II
Material group	II
Rated current (40°C)	5 A
Volume resistivity	≤ 3 mΩ
EMV compliance	not shielded
Degree of protection	IP 67
Mechanical operation	>500 mating cycles



Product Area	Male cable connector red Snap-in connectors IP 67	serie 720	Pole Article number	5 99 9113 50 05
--------------	--	-----------	---------------------	--------------------

Date: 2014-07-20 - Page 2 of 2

Item description

