

Product Area Female socket, blue
Snap-in connectors IP 67

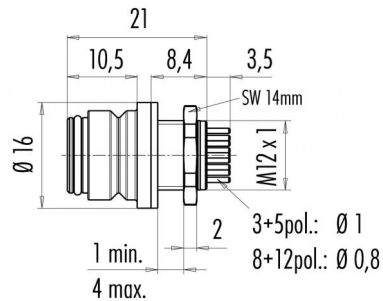
serie 720

Pole 3
Article number 99 9108 60 03

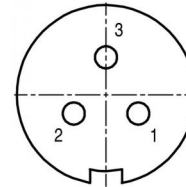
illustration



scale drawing



Contact Arrangement



| | X | Y |
|---|-------|-------|
| 1 | 2,43 | -1,40 |
| 2 | -2,43 | -1,40 |
| 3 | 0,00 | 2,80 |

You can find the item description and assembly instruction on the next page.

Technical data

Common values

| | |
|--------------------------|----------------------|
| Connector Design | Female socket |
| Connector locking system | Snap-in locking |
| Termination | solder |
| Wire gauge (mm) | 0,75 mm ² |
| Wire gauge (AWG) | 20 |
| Cable outlet | - |
| Upper temperature | +85 °C |
| Lower temperature | -25 °C |

Material

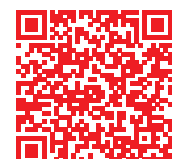
| | |
|--------------------------|----------------|
| Material of contact | CuSn (bronze) |
| Contact plating | Au (gold) |
| Material of contact body | PA (UL 94 V-0) |
| Material of housing | PA (UL 94 V-0) |

Cable data

Contacts 3, female socket, blue

Electrical values

| | |
|-----------------------|--------------------|
| Rated voltage | 250 V |
| Rated impulse voltage | 2500 V |
| Pollution degree | 2 |
| Overvoltage category | II |
| Material group | II |
| Rated current (40°C) | 7 A |
| Volume resistivity | ≤ 3 mΩ |
| EMV compliance | not shielded |
| Degree of protection | IP 67 |
| Mechanical operation | >500 mating cycles |



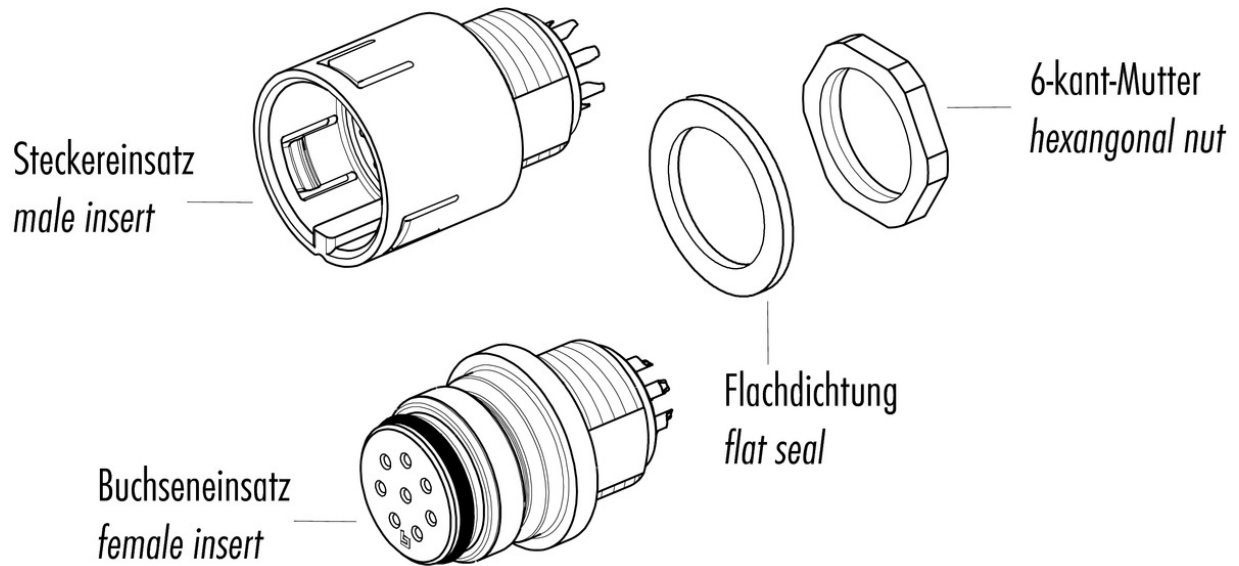
Product Area Female socket, blue
Snap-in connectors IP 67

serie 720

Pole 3
Article number 99 9108 60 03

Date: 2014-07-20 - Page 2 of 2

Item description



Installation instructions / Mounting cutout

