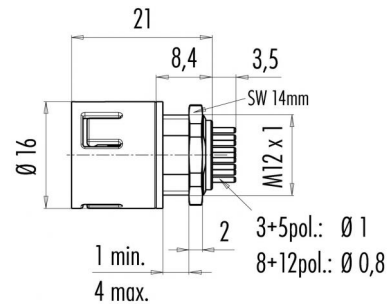


Product Area	Flanschstecker, tauchlöten Snap-in connectors IP 67	serie 720	Pole	3
			Article number	99 9107 090 03

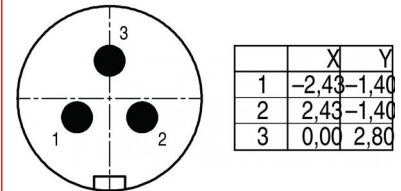
illustration



scale drawing



Contact Arrangement



You can find the item description and assembly instruction on the next page.

Technical data

Common values

Termination	dip solder
Wire gauge (mm)	max. 0,75 mm ²
Upper temperature	+85 °C
Lower temperature	-25 °C

Material

Material of contact body	PA (UL 94 V-0)
Material of housing	PA (UL 94 V-0)

Electrical values

Rated voltage	250 V
Rated impulse voltage	2500 V
Pollution degree	2
Overvoltage category	II
Material group	II
Rated current (40°C)	7 A
Volume resistivity	≤ 3 mΩ
Degree of protection	IP 67
Mechanical operation	>500 mating cycles

Cable data

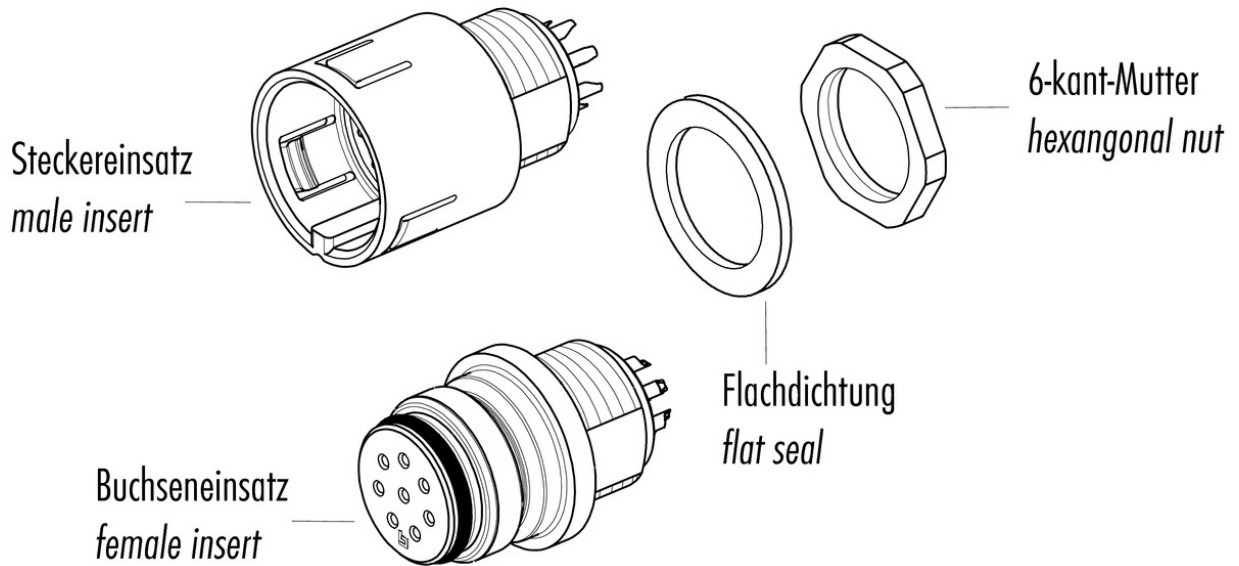
Polzahl: 3, Flanschstecker schwarz, tauchlöten



Product Area	Flanschstecker, tauchlöten Snap-in connectors IP 67	serie 720	Pole Article number	3 99 9107 090 03
--------------	--	-----------	------------------------	---------------------

Date: 2014-07-20 - Page 2 of 2

Item description



Installation instructions / Mounting cutout

