

Product Connector for distribution, M12 outlet, further parts can be added, lower part with fixing straps

Pole 2

Area AS-Interface components

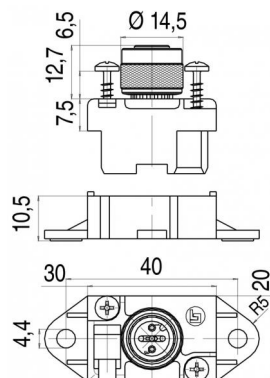
serie 775

Article number 99 6410 00 02

illustration



scale drawing



You can find the item description on the next page.

Technical data

Common values

Connector Design	flat cable clamp
Connector locking system	Connector for distribution
Wire gauge (mm)	1,50 mm ²
Wire gauge (AWG)	16
Upper temperature	+70 °C
Lower temperature	-25 °C

Material

Material of contact	CuZn (brass)
Contact plating	Au (gold)
Material of contact body	PA
Material of housing	PA

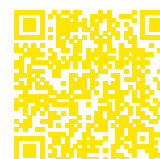
Electrical values

Rated voltage	30 V
Pollution degree	3
Rated current (40 °C)	2 A (per contact)
Volume resistivity	≤ 3 mΩ
Degree of protection	IP 67
Mechanical operation	Max. 10 mating cycles

Cable data

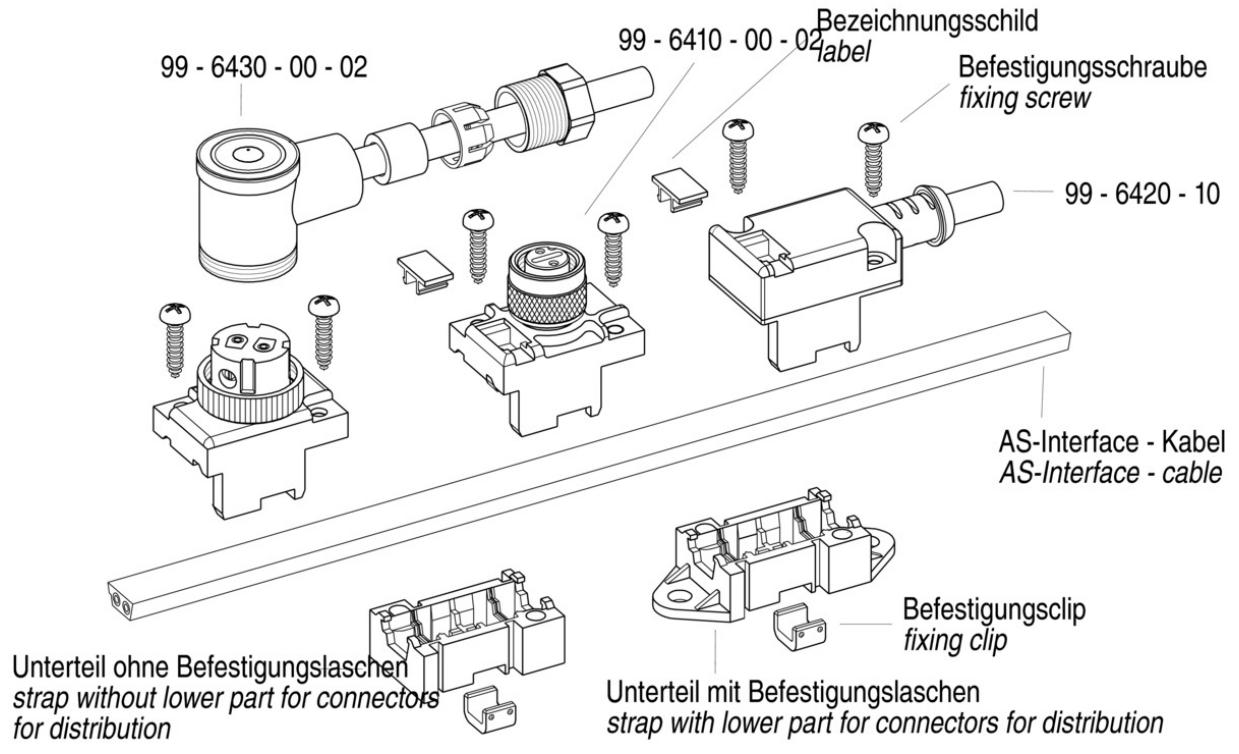
insulation single lead	-
single lead structure	-
bending radius cable fixed	-
bending radius cable movable	-

Contacts 2: Connector for distribution, M12 outlet, further parts can be added, lower part with fixing straps



Product	Connector for distribution, M12 outlet, further parts can be added, lower part with fixing straps	Pole	2
Area	AS-Interface components	serie 775	Article number 99 6410 00 02

Item description



Item description

